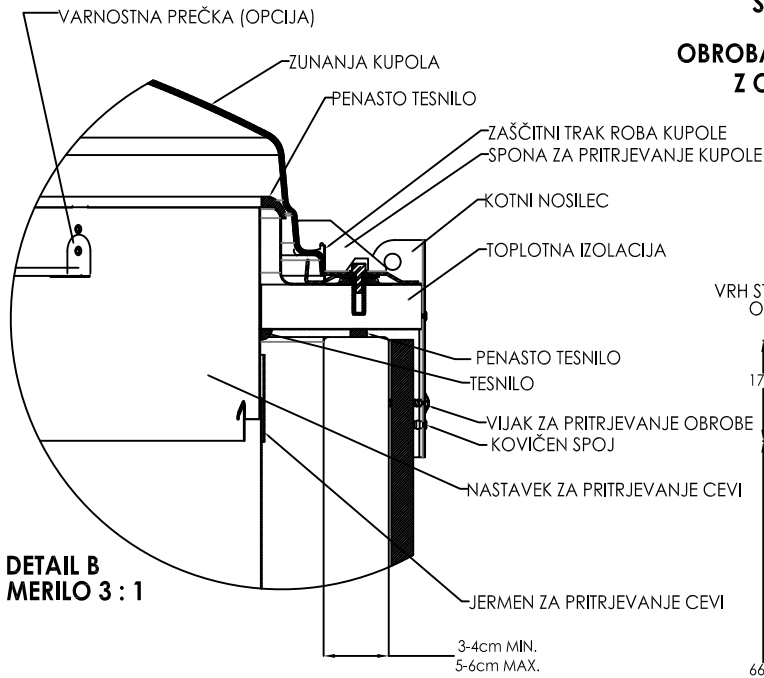
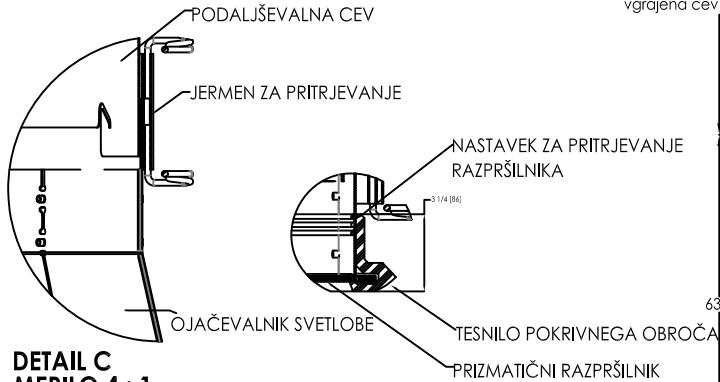


**SOLATUBE M74 DS-O-DP-A
(740 MM)
OBROBA Z ROBOM IN ENOJNO KUPOLO
Z OJAČEVALNIKOM SVETLOBE**



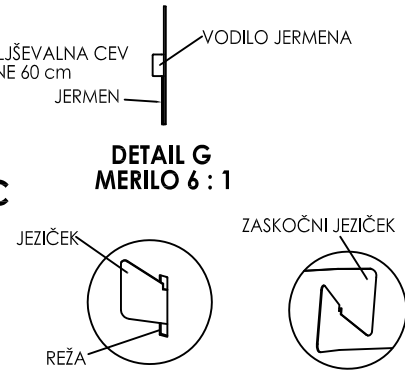
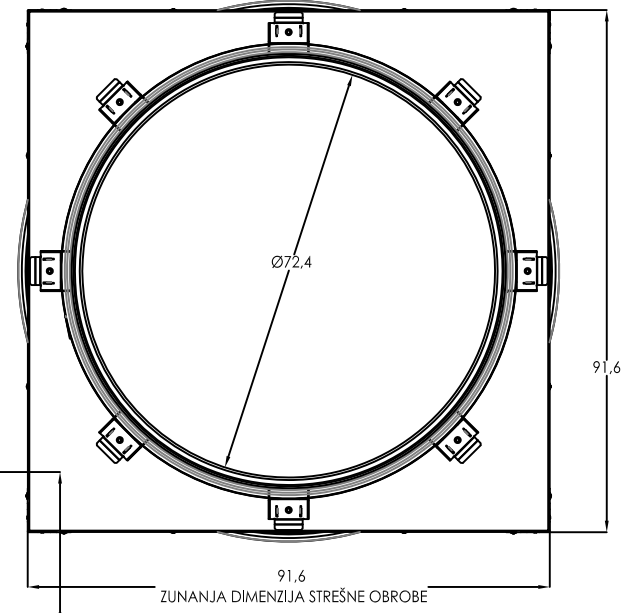
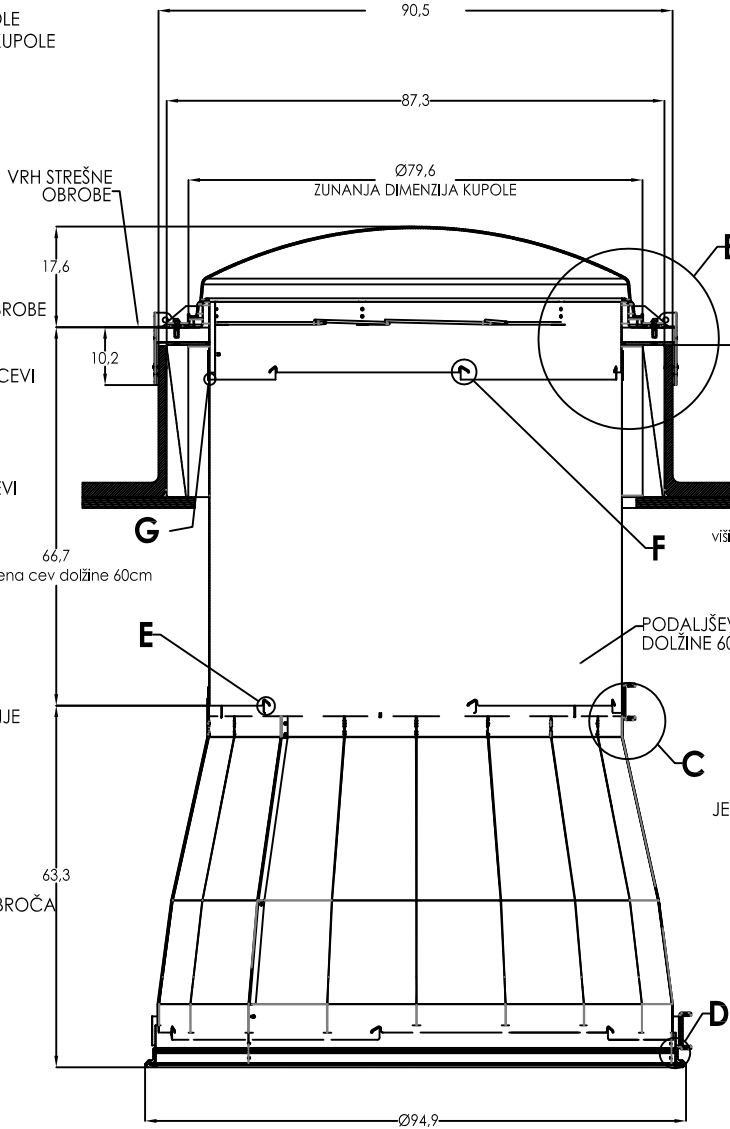
**DETAIL B
MERO 3 : 1**



**DETAIL C
MERO 4 : 1**

**DETAIL D
MERO 4 : 1**

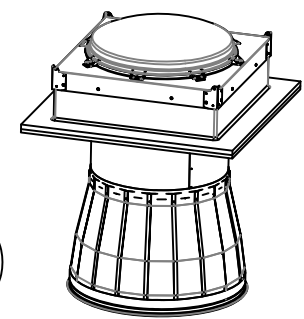
OPOMBA: Mere so v cm



**DETAIL G
MERO 6 : 1**

**DETAIL E
MERO 6 : 1**

**DETAIL F
MERO 6 : 1**



UNLESS OTHERWISE SPECIFIED:		SOLATUBE INTERNATIONAL, INC. COPYRIGHT 2013 WWW.SOLATUBE.COM		<p>2200 CHINA ROAD, SUITE 100 VISTA, CALIFORNIA 92081-4341 PH: (760) 937-4420</p>	
DIMENSION TOLERANCE FRACTIONS ± 1/4" INCH MILLIMETER XX ± .06 [XX] ± 1.5		DRAWN BY STEVENS	DATE 11 NOV 13	TITLE: M74 DS AMPLIFIER CURB MOUNT OPEN CEILING	
MATERIAL -	CHECKED BY -	APPROVED BY -	DATE -	SITE D	DWG. NO. SM74DS-O-DP-A-FC-OC
DO NOT SCALE DRAWING		SCALE: 1:1	REV 1 SHEET 1 OF 1		