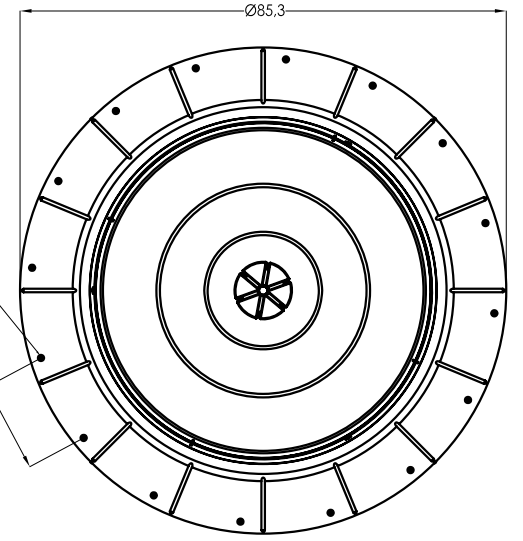
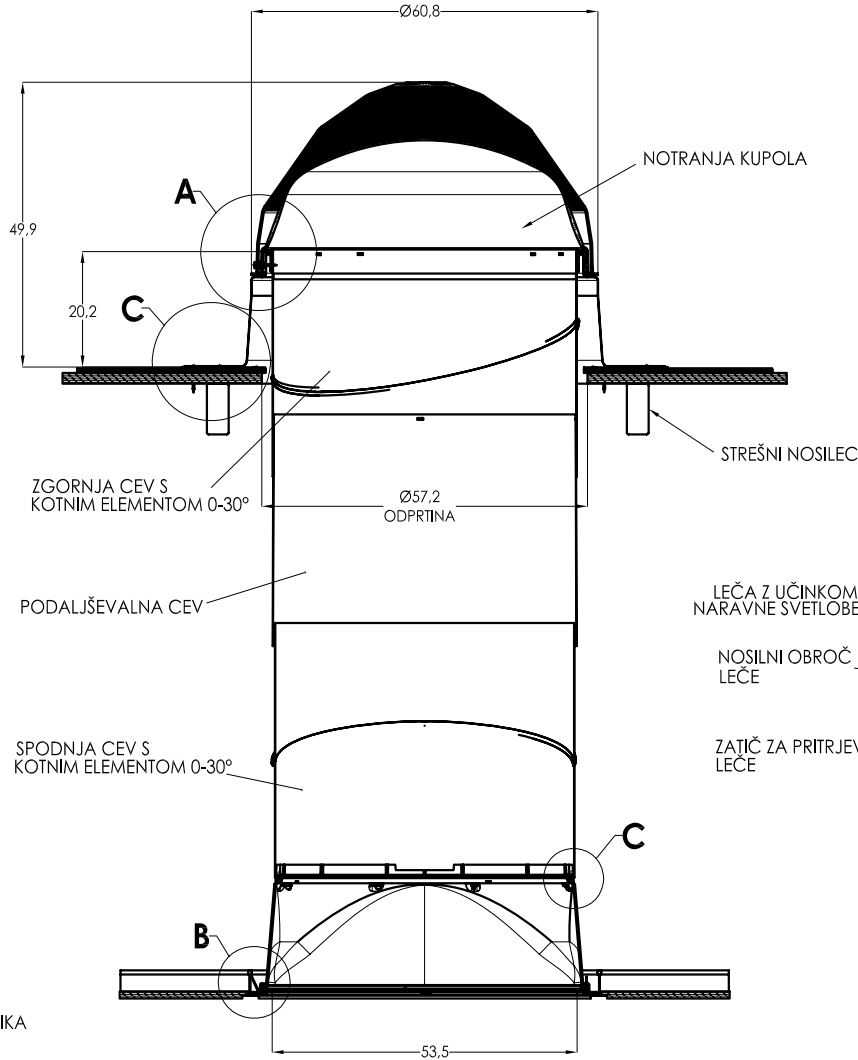
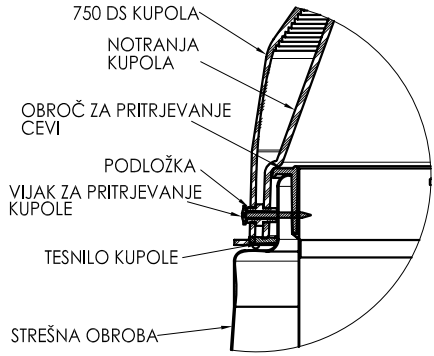
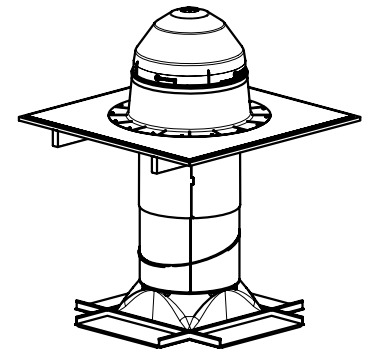


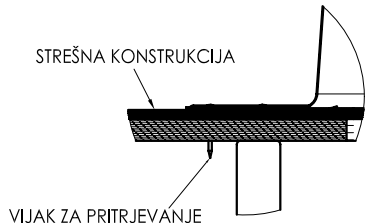
**SOLATUBE 750 DS-C  
(530 MM)  
ZAPRT SISTEM VGRAJEN V RASTERSKI STROP**



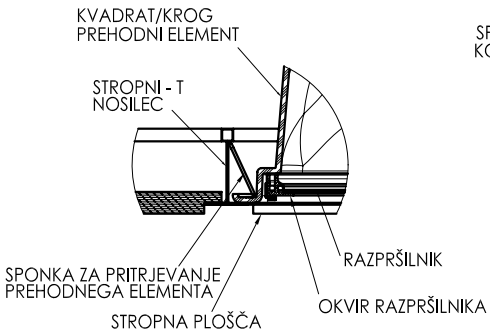
**DIMENZIJE OBROBE  
MERO 1:1**



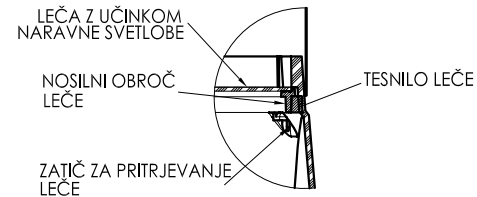
**DETAIL A  
MERO 3:1**



**DETAIL C  
MERO 2:1**




**DETAIL B  
MERO 3:1**



**DETAIL C  
MERO 3:1**

**PREREZ SKOZI SOLATUBE 750 DS-C  
MERO 1:1**

**OPOMBA: Mere so v cm**

UNLESS OTHERWISE SPECIFIED: DIMENSIONS ARE IN INCHES TOLERANCES: ANGULAR: ±0.5° .X ± .1 .XX ± .02 .XXX ± .005		SOLATUBE INTERNATIONAL, INC. COPYRIGHT 2007 WWW.SOLATUBE.COM		 TITLE: <b>750 DS-C SELF FLASHING SUSPENDED CEILING</b>	
MATERIAL -	DRAWN BY STEVENS	DATE 3/11/09	SIZE	DWG. NO. <b>WEB-750-SF8-SC-AA</b>	REV <b>1</b>
FINISH -	CHECKED BY -	DATE -	SCALE: 1:1	SHEET 1 OF 1	
DO NOT SCALE DRAWING		APPROVED BY -	DATE -		