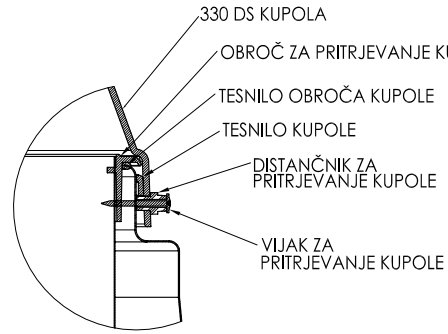
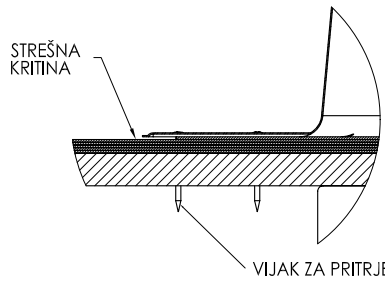


REVISIONS				
ECO	REV.	DESCRIPTION	DATE	INC.
	1	RELEASED	7/1/08	CS

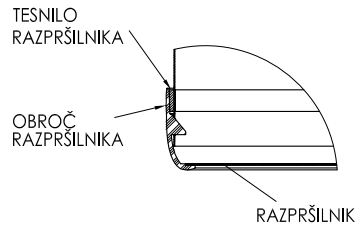
**SOLATUBE 330 DS-O  
(530 MM)  
KOVINSKA OBROBA, ODPRT SISTEM, KOTNI ELEMENT**



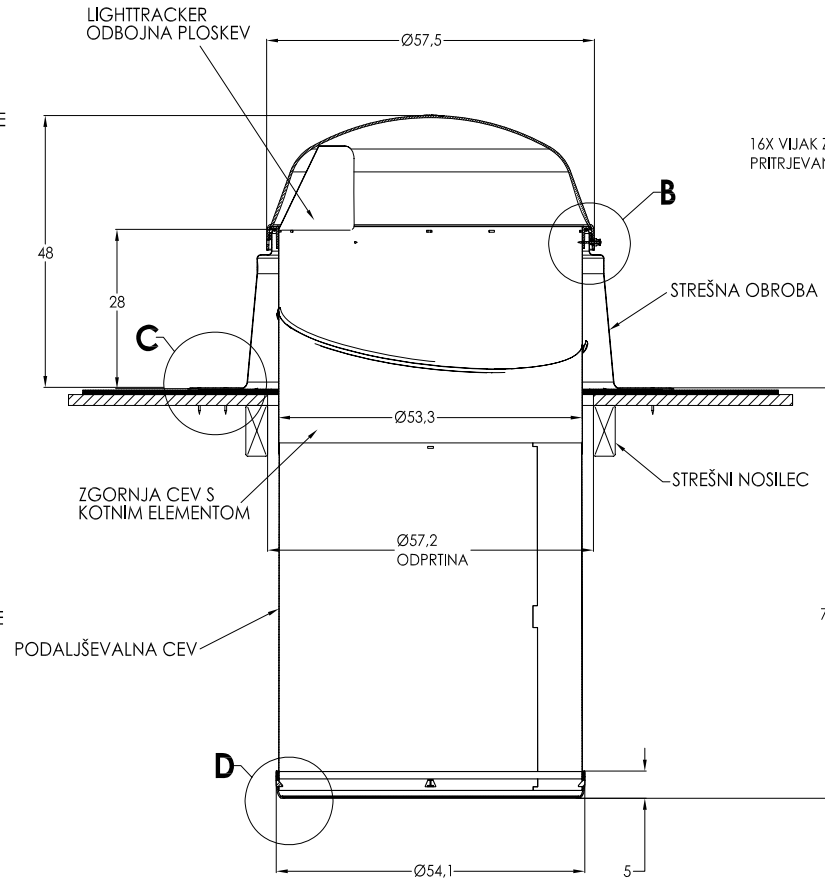
**DETAIL B  
MERO 3 : 1**



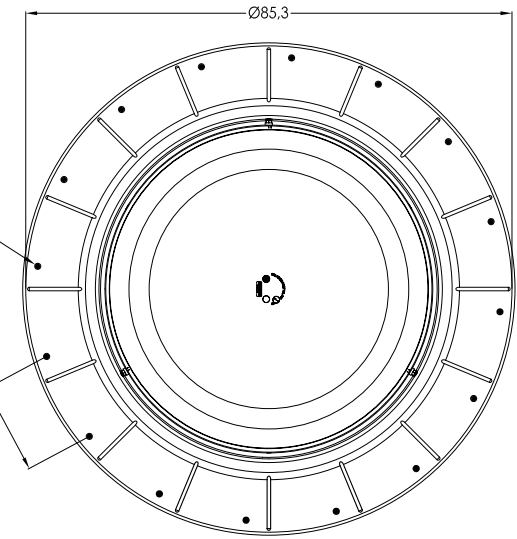
**DETAIL C  
MERO 3 : 1**



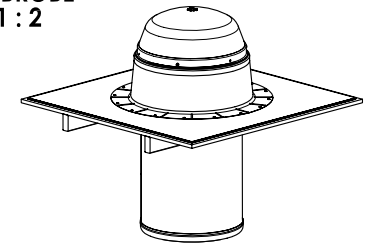
**DETAIL D  
MERO 3 : 1**



**PREREZ SKOZI SOLATUBE 330 DS-O  
MERO 1:1**



**DIMENZIJE OBROBE  
MERO 1 : 2**



**OPOMBA : Mere so v cm**

UNLESS OTHERWISE SPECIFIED: DIMENSIONS ARE IN INCHES TOLERANCES: ANGULAR: ±0.5° .X ± .1 .XX ± .02 .XXX ± .005		SOLATUBE INTERNATIONAL, INC. COPYRIGHT 2008 WWW.SOLATUBE.COM		 TITLE: <b>330 DS-O SELF-FLASHING OPEN CEILING</b>	
MATERIAL -	DRAWN BY STEVENS	DATE 7/1/08	SITE	DWG. NO. <b>WEB-330-SF-OC</b>	REV <b>1</b>
FINISH -	CHECKED BY -	DATE -	SCALE: 1:1	SHEET 1 OF 1	
DO NOT SCALE DRAWING		APPROVED BY -	DATE -		