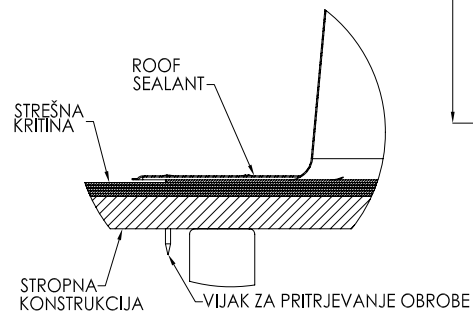


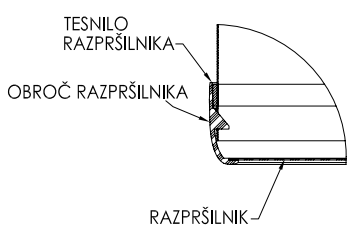
8 7 6 5 4 3 2 1



**DETAIL B
MEROLO 3 : 1**

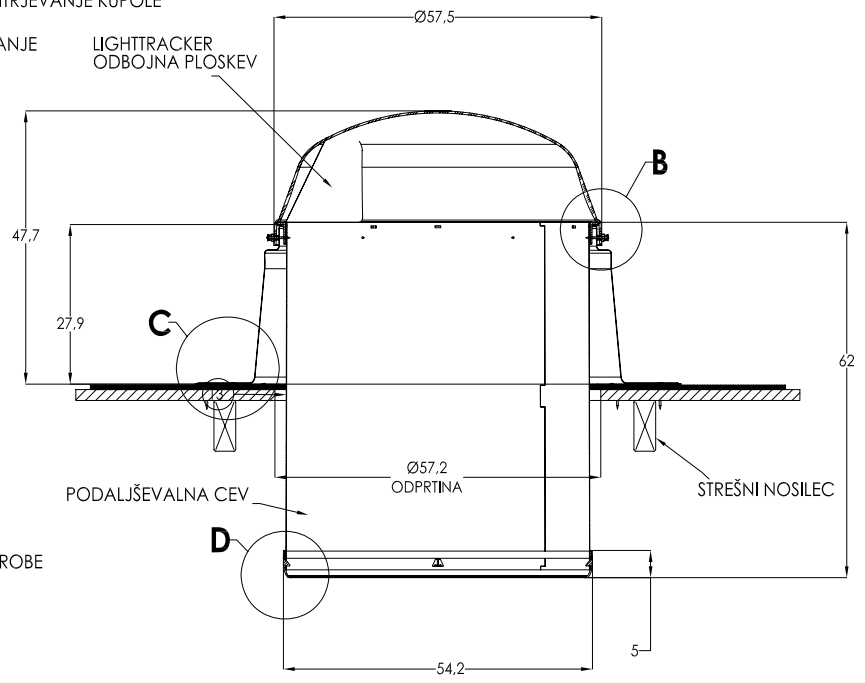


**DETAIL C
MEROLO 3 : 1**

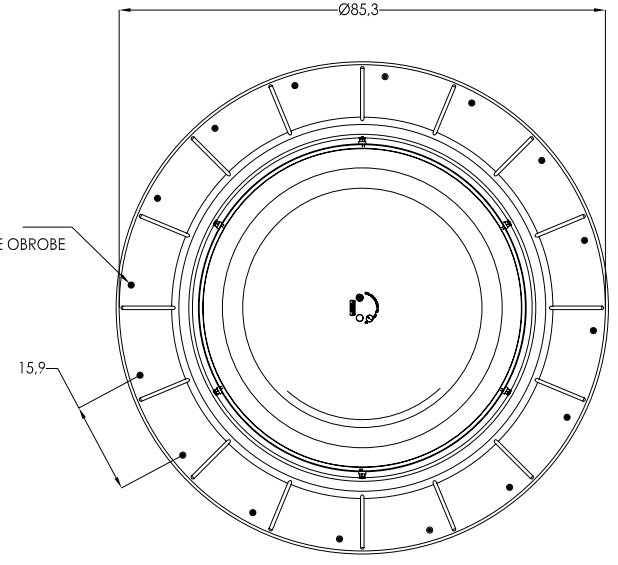


**DETAIL D
MEROLO 3 : 1**

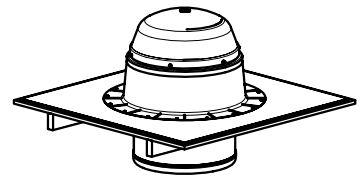
**SOLATUBE 330 DS-O
(530 MM)
KOVINSKA OBROBA, ODPRT SISTEM, BREZ KOTNEGA ELEMENTA**



**PREREZ SKOZI SOLATUBE 330 DS-O
MEROLO 1:1**



**DIMENZIJE OBROBE
MEROLO 1 : 2**



OPOMBA: Mere so v cm

UNLESS OTHERWISE SPECIFIED: DIMENSIONS ARE IN INCHES TOLERANCES: ANGULAR: ±0.5° .X ± .1 .XX ± .02 .XXX ± .005		SOLATUBE INTERNATIONAL, INC. COPYRIGHT 2009 WWW.SOLATUBE.COM		 2214 CHINA ROAD, SUITE 100 VISTA, CALIFORNIA 92081-0341 PH: (760) 937-4400	
MATERIAL	-	DRAWN BY	STEVENS	DATE	3/2/09
FINISH	-	CHECKED BY	-	DATE	-
DO NOT SCALE DRAWING	-	APPROVED BY	-	DATE	-
TITLE: 330 DS (21") SELF-FLASHING OPEN CEILING				SITE	-
DWG. NO. WEB-330-SF11-OC-NA				REV	1
SCALE: 1:1				SHEET 1 OF 1	

8 7 6 5 4 3 2 1