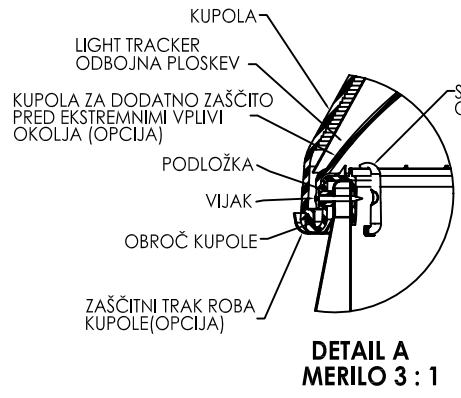
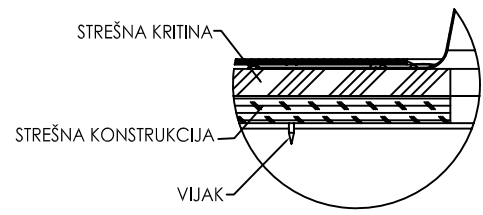


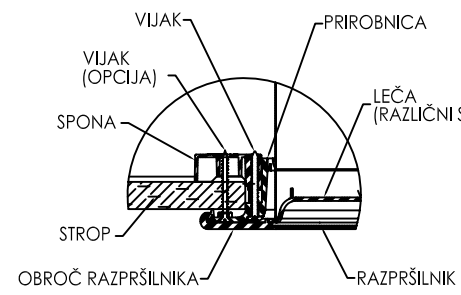
REVISIONS				
ECO	REV.	DESCRIPTION	DATE	INC.
	A	RELEASED	2/27/2004	



**DETAIL A
MERO 3 : 1**

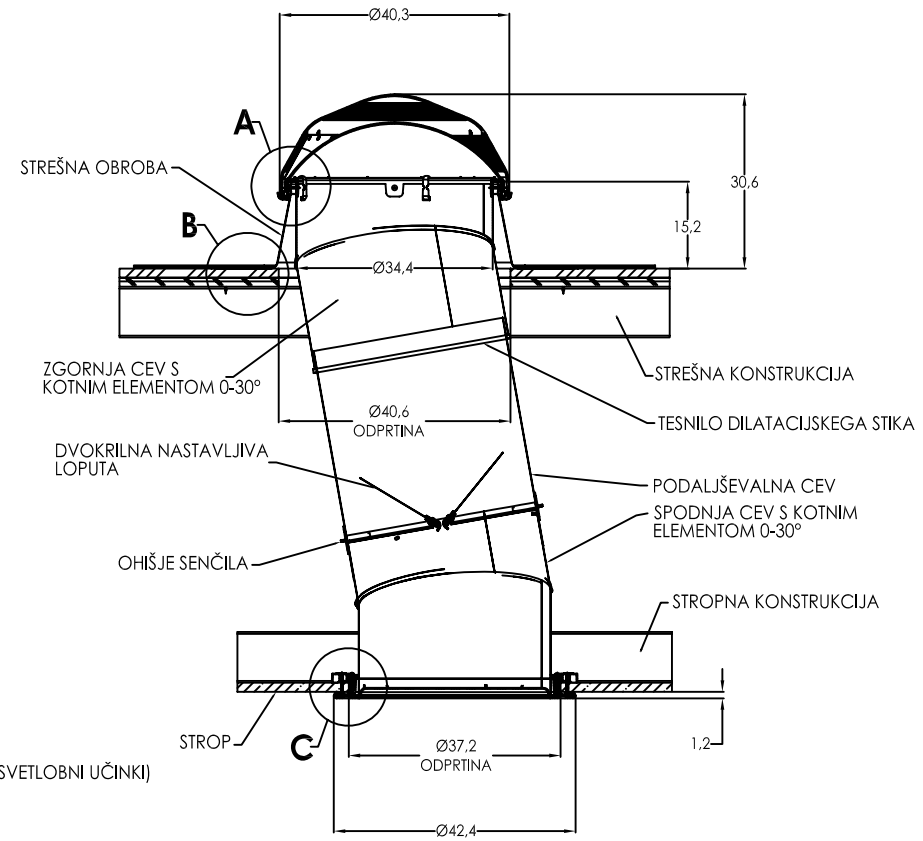


**DETAIL B
MERO 3 : 1**

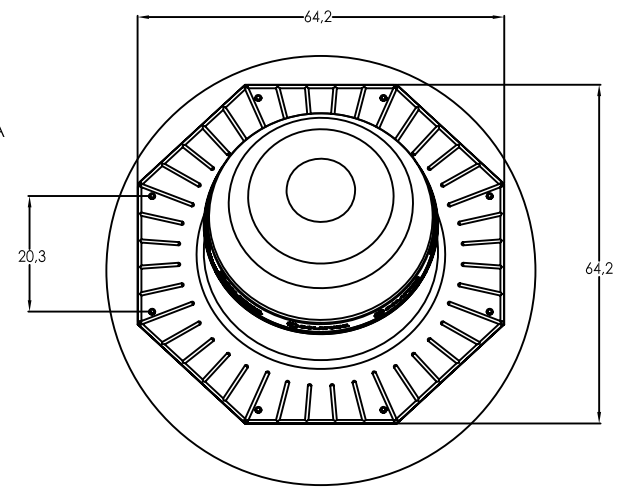
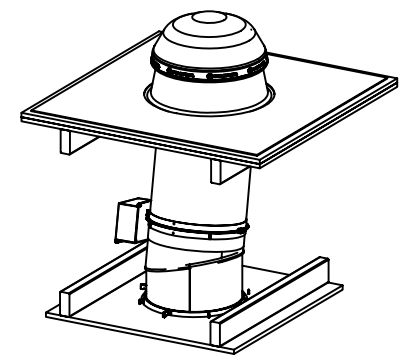


**DETAIL C
MERO 3 : 1**

**SOLATUBE 290DS
Z VGRAJENIM SENČILOM
NA RAVNI STREHI**



**PREREZ SKOZI SOLATUBE 290 DS
MERO 1:1**



DIMENZIJE STREŠNE OBROBE

OPOMBA: Mere so v cm

UNLESS OTHERWISE SPECIFIED: DIMENSION TOLERANCE FRACTION : ± 1/4" INCH X ± .1		MILLIMETER (M) ± .20		SOLATUBE INTERNATIONAL, INC. COPYRIGHT 2006 WWW.SOLATUBE.COM		 <small>2200 CHINA ROAD, SUITE 100, SANTA CALIFORNIA, 92081-8341 PH: (760) 957-4420</small>	
MATERIAL -	DRAWN BY STEVENS	DATE 11/2/06	TITLE: 290DS SELF-FLASHING HARD CEILING W/DAYLIGHT DIMMER				
FINISH -	CHECKED BY -	DATE -	SITE D	DWG. NO. 290DS-HC-SF6-DD	REV A	SCALE: 1:1	SHEET 1 OF 1
DO NOT SCALE DRAWING			APPROVED BY GOODJOHN	DATE 11/7/06			