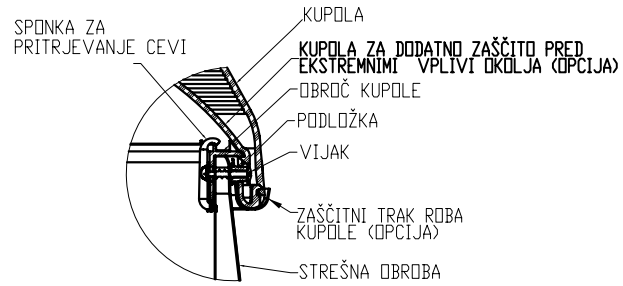
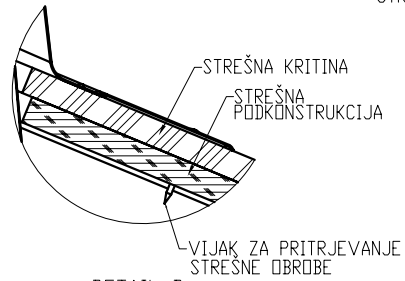


REVISIONS				
ECD	REV.	DESCRIPTION	DATE	INC.
	A	RELEASED	9/12/07	

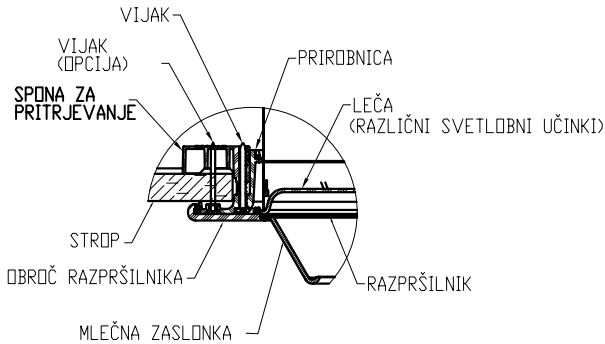
SOLATUBE 160DS  
NA POŠEVNI STREHI  
Z VGRAJENIM RAZPRŠILNIKOM Z MLEČNO ZASLONKO



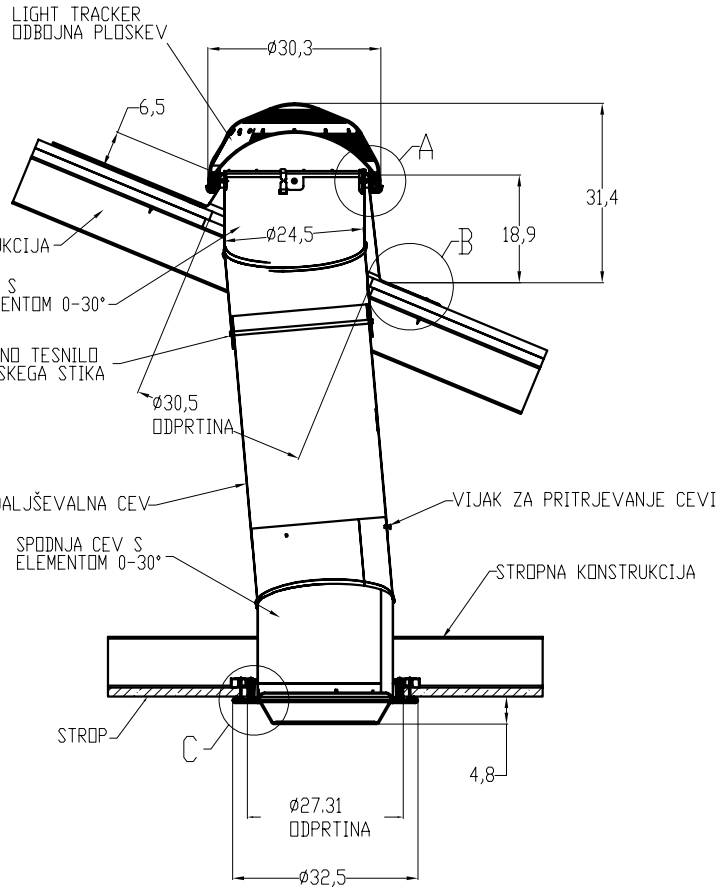
DETAIL A  
MERO 3 : 1



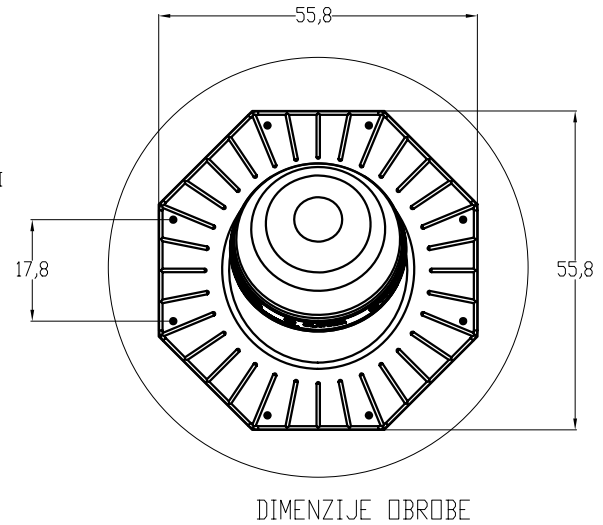
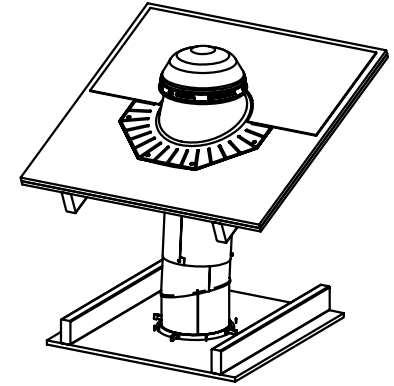
DETAIL B  
MERO 3 : 1



DETAIL C  
MERO 3 : 1



PREREZ SKOZI SOLATUBE 160 DS  
MERO 1:1



UNLESS OTHERWISE SPECIFIED: DIMENSION TOLERANCE FRACTION ± 1/4" INCH 1 ± 1 MILLIMETER 0,25		SOLATUBE INTERNATIONAL, INC. COPYRIGHT 2006 WWW.SOLATUBE.COM		 <small>3200 CHINA PAVILION WAY VISTA, CALIFORNIA 92081-0041 PH: (760) 957-4440</small>	
MATERIAL ---	DRAWN BY STEVENS	DATE 9/12/07	TITLE: SOLATUBE 160DS PITCHED SELF-FLASHING HARD CEILING (FS)		
FINISH ---	CHECKED BY ---	DATE ---	SIZE D	DWG. NO. 160DS-HC(FS)-SFP	REV A
DO NOT SCALE DRAWING	APPROVED BY ---	DATE ---	SCALE: 1:1	SHEET 1 OF 1	