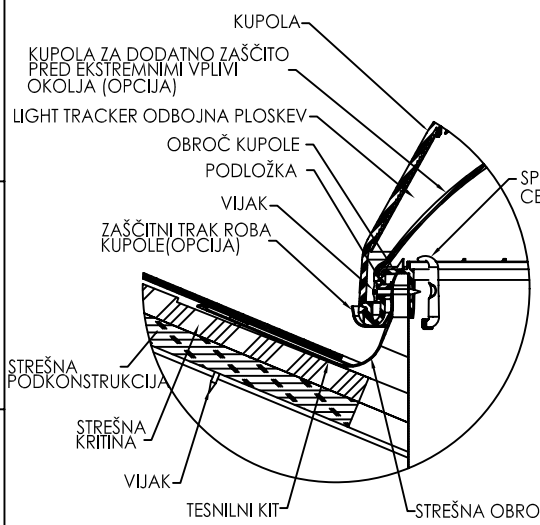
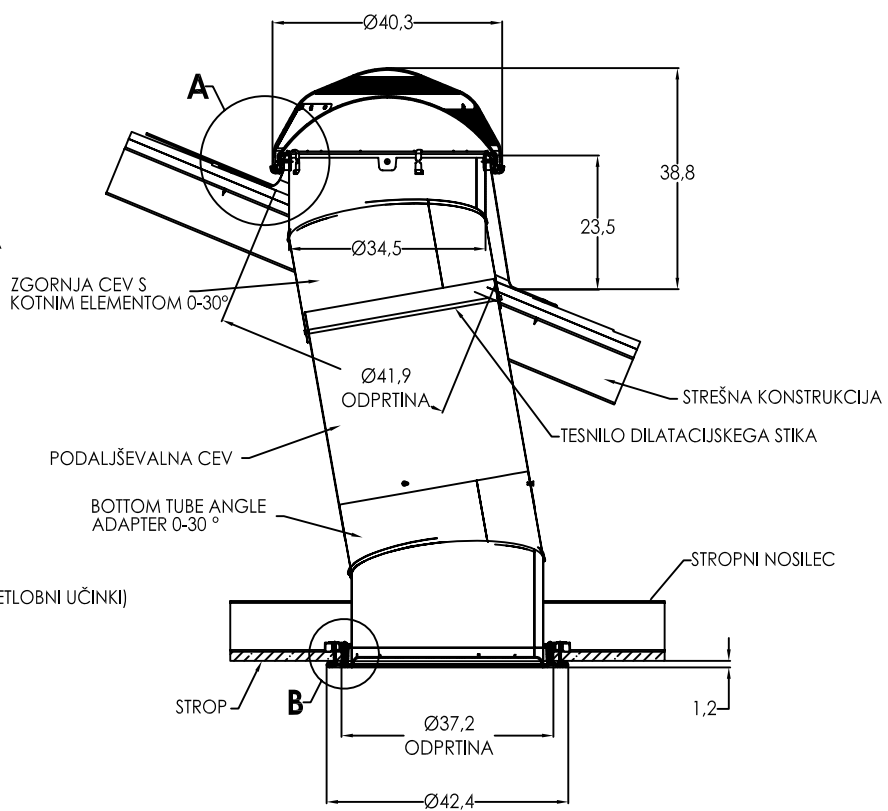


REVISIONS				
ECO	REV.	DESCRIPTION	DATE	INC.
	A	RELEASED	2/27/2004	

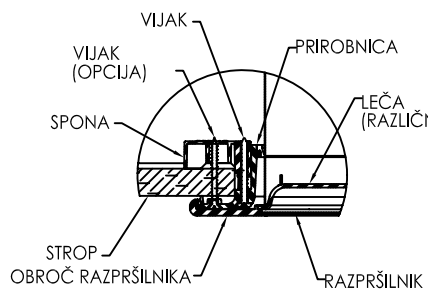
### SOLATUBE 290DS Z VGRAJENO KOTNO KOVINSKO OBROBO



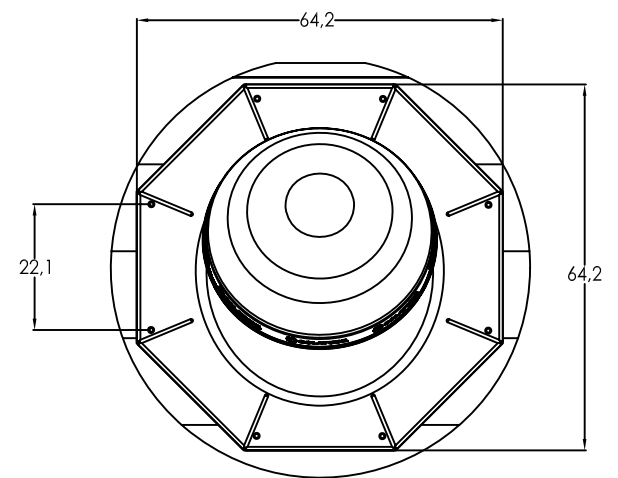
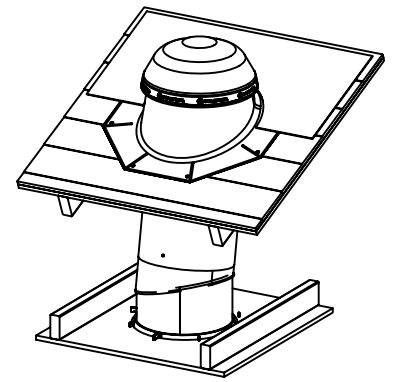
**DETAIL A  
MEROLO 3 : 1**



**PREREZ SKOZI SOLATUBE  
MEROLO 1:1**




**DETAIL B  
MEROLO 3 : 1**



**DIMENZIJE OBROBE**

**OPOMBA: Mere so v cm**

UNLESS OTHERWISE SPECIFIED: DIMENSION TOLERANCE FRACTION : ± 1/4" INCH X ± .1		SOLATUBE INTERNATIONAL, INC. COPYRIGHT 2006 WWW.SOLATUBE.COM		 <small>2200 CHINA ROAD, SUITE 100, VISTA, CALIFORNIA 92081-4341 PH: (760) 597-4400</small>	
MATERIAL -	DRAWN BY STEVENS	DATE 11/2/06	TITLE: <b>SOLATUBE 290DS PITCHED SELF-FLASHING HARD CEILING</b>		
FINISH -	CHECKED BY -	DATE -	SIZE <b>D</b>	DWG. NO. <b>290DS-HC-SFP</b>	REV <b>A</b>
DO NOT SCALE DRAWING		APPROVED BY GOODJOHN	DATE 11/7/06	SCALE: 1:1	SHEET 1 OF 1