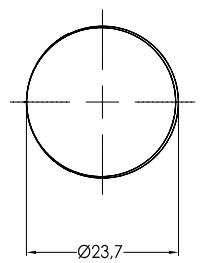
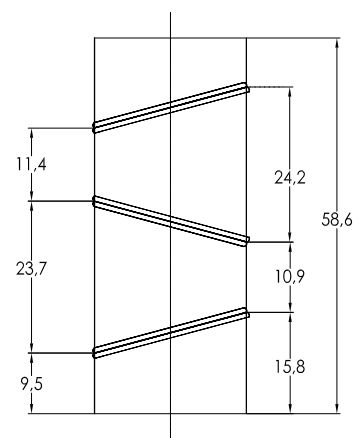
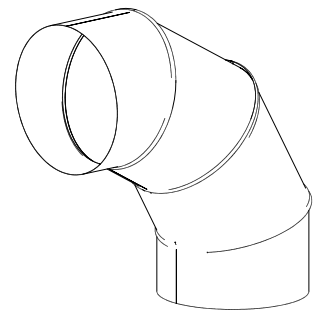


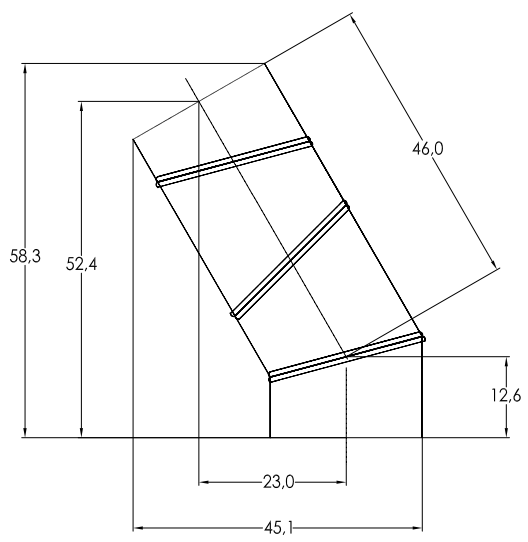
REVISIONS				
ECO	REV.	DESCRIPTION	DATE	INC.
	1		2/17/2006	



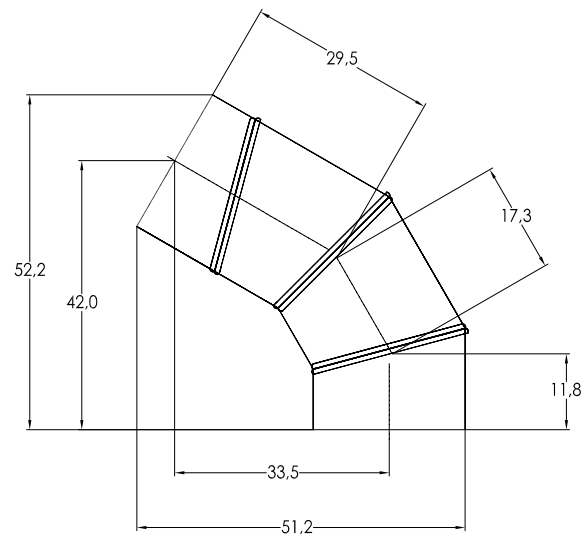
**PREMER ZGORNJEGA DELA
KOTNEGA ELEMENTA**



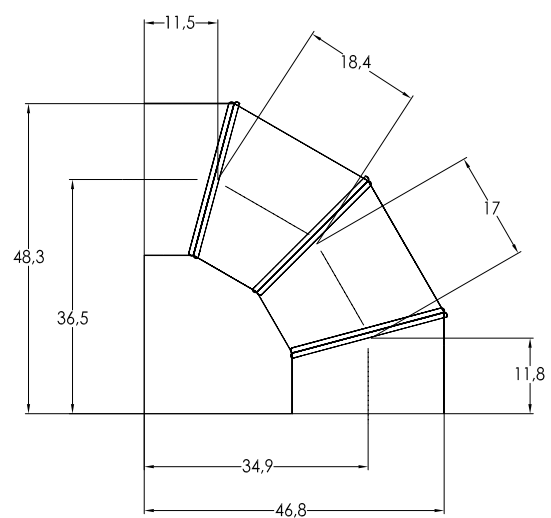
**PORAVNAN KOTNI ELEMENT
MEROLO 1:1**



**KOT 30°
MEROLO 1:1**



**KOT 60°
MEROLO 1:1**



**KOT 90°
MEROLO 1:1**

OPOMBA: Mere so v cm

UNLESS OTHERWISE SPECIFIED: TOLERANCES ANGULAR: ±0.5° INCH: ±0.01 MILLIMETER: ±0.25 XXI ± .01 XXX ± .005		PROPRIETARY AND CONFIDENTIAL THE INFORMATION CONTAINED IN THIS DRAWING IS THE SOLE PROPERTY OF SOLATUBE. ANY REPRODUCTION IN PART OR AS A WHOLE WITHOUT THE WRITTEN PERMISSION OF SOLATUBE IS PROHIBITED.			
MATERIAL -- STEVEHS	DRAWN BY -- STEVEHS	DATE -- 2/17/06	TITLE: 0-90 DEGREE EXT. TUBE 10 INCH		
CHECKED BY --	APPROVED BY --	DATE --	SIZE D	DWG. NO. 10-90DEG-EXT	REV 1
DO NOT SCALE DRAWING			SCALE: 1:4	SHEET 1 OF 1	