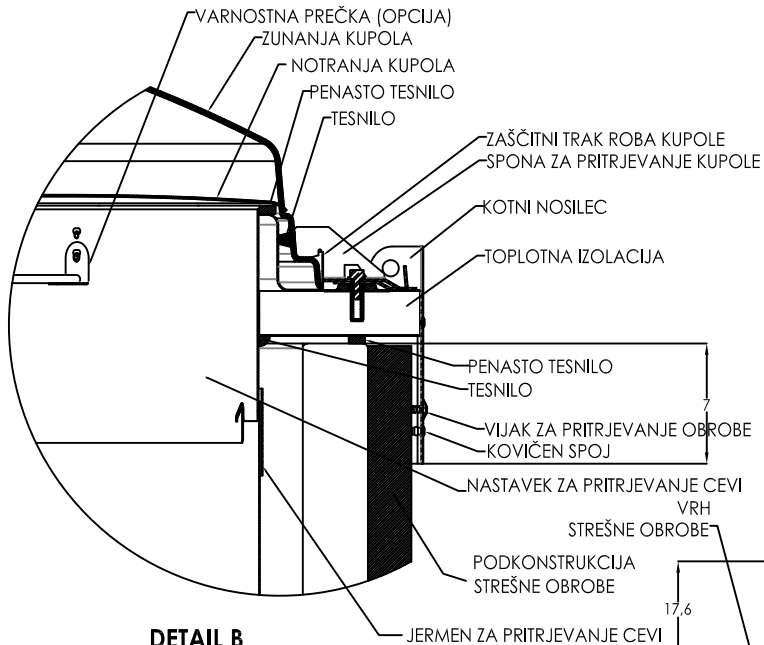
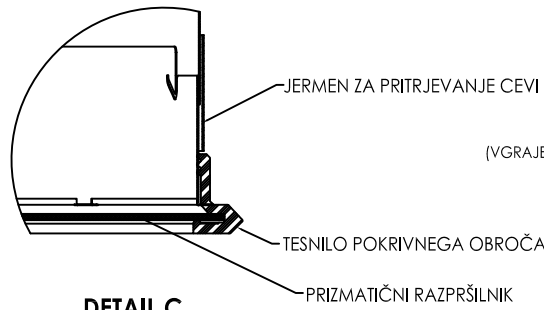


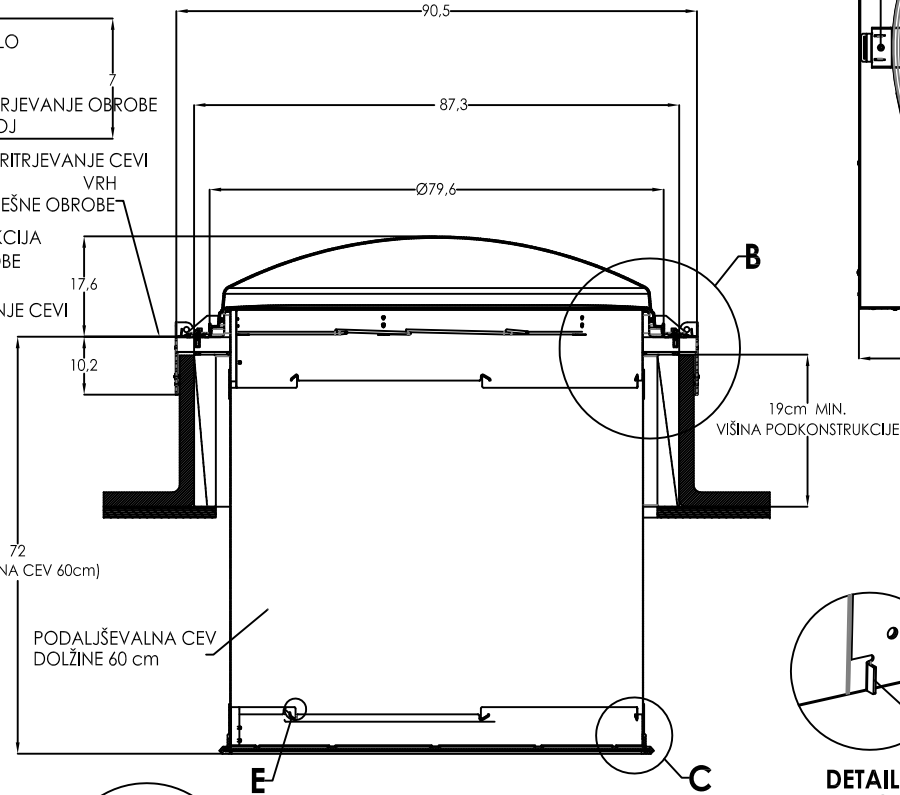
**SOLATUBE M74 DS-O
(740 MM)
OBROBA Z ROBOM
SISTEM Z DVOJNO KUPOLO**



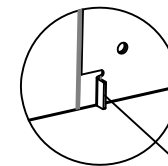
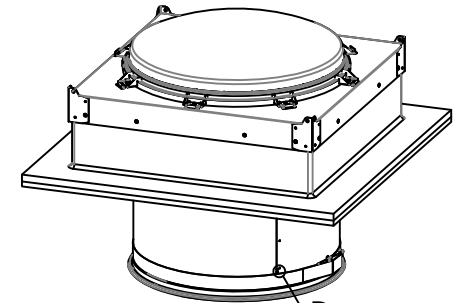
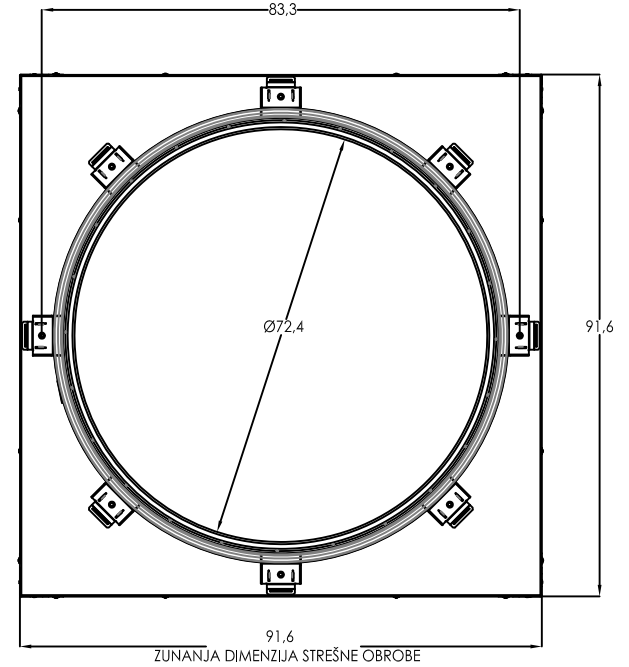
**DETAIL B
MERILO 3 : 1**



**DETAIL C
MERILO 4 : 1**

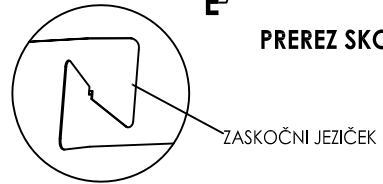


PREREZ SKOZI M74DS



**DETAIL D
MERILO 8 : 1**

ZAVIHEK ZA PRITRDITEV KOVINSKEGA JERMENA



**DETAIL E
MERILO 8 : 1**

OPOMBA: Mere so v cm

UNLESS OTHERWISE SPECIFIED:		SOLATUBE INTERNATIONAL, INC. COPYRIGHT 2013 WWW.SOLATUBE.COM		<p>2200 CHINA ROAD, SUITE 400 VISTA, CALIFORNIA 92081-4341 PH: (760) 937-4420</p>	
DIMENSION TOLERANCE FRACTIONS ± 1/4" INCH MILLIMETER XX ± .06 [XX] ± 1.5		DRAWN BY STEVENS		DATE 20 MAY 13	
MATERIAL -		CHECKED BY -		DATE -	
FINISH -		APPROVED BY -		DATE -	
DO NOT SCALE DRAWING		SITE D		DWG. NO. SM74DS-O-DPP-FC-OC	
		SCALE: 1:1		REV 1	
				SHEET 1 OF 1	

OPOMBA: Mere so v cm