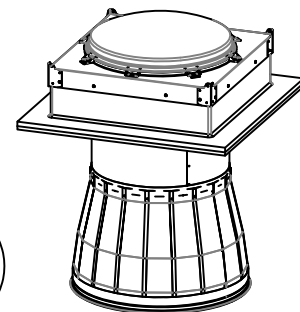
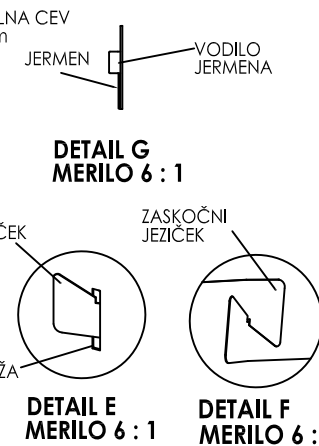
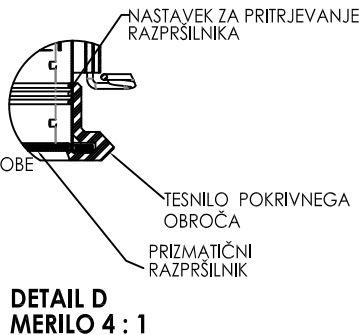
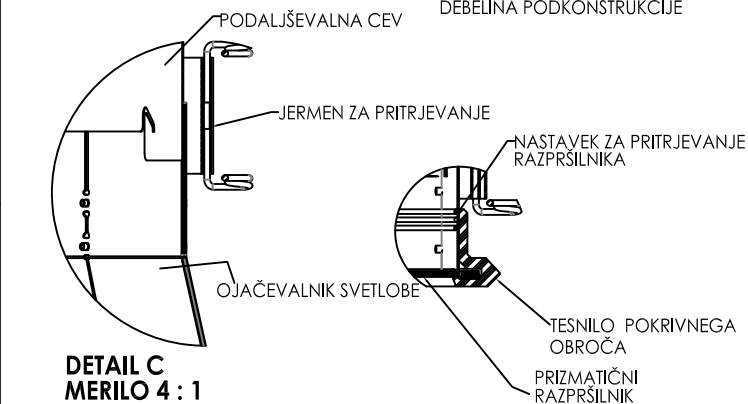
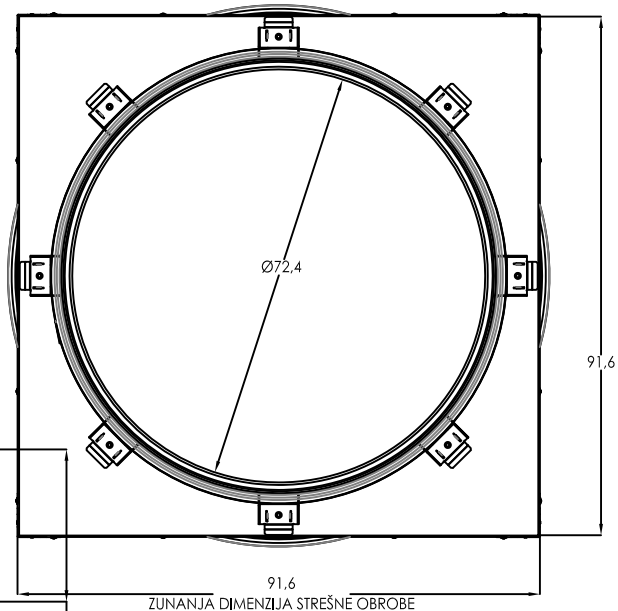
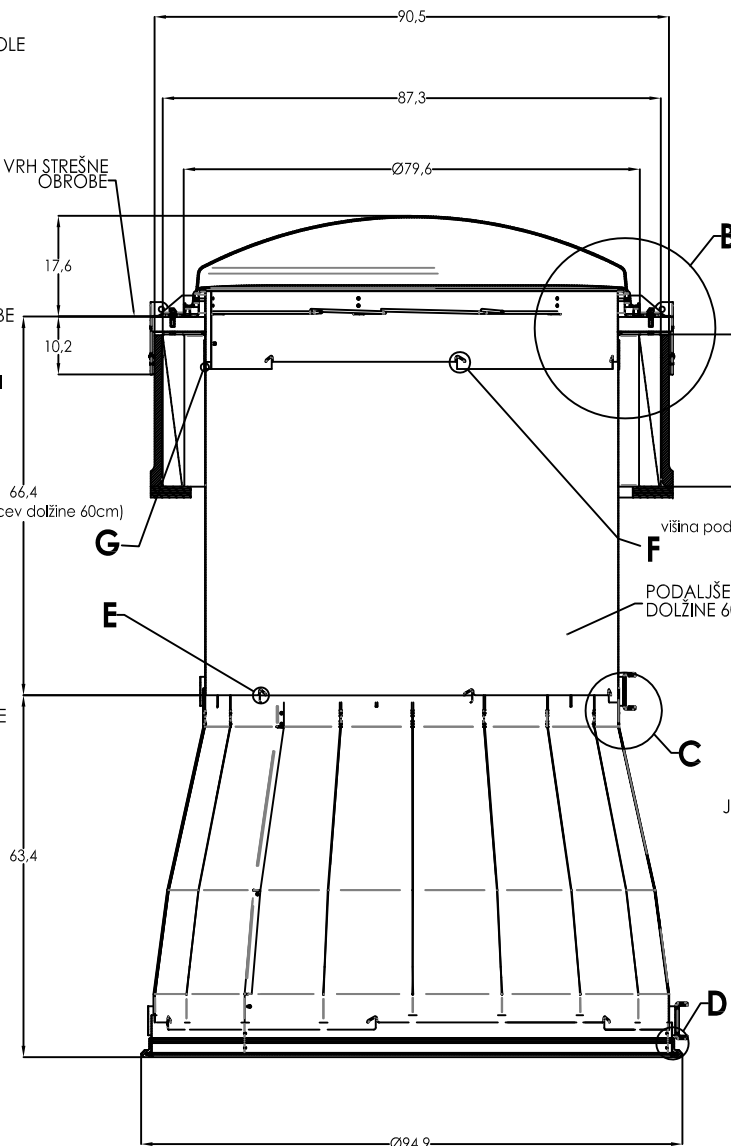
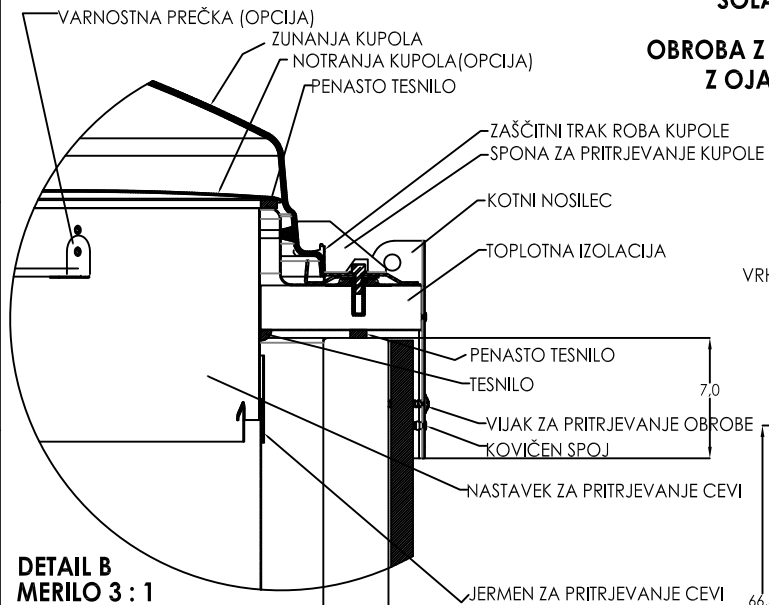


**SOLATUBE M74 DS-O-DPP-A
(740 MM)
OBROBA Z ROBOM IN DVOJNO KUPOLO
Z OJAČEVALNIKOM SVETLOBE**



OPOMBA: Mere so v cm

UNLESS OTHERWISE SPECIFIED: DIMENSION TOLERANCE FRACTIONS ± 1/4" INCH MILLIMETER XX ± .06 [XX] ± 1.5		SOLATUBE INTERNATIONAL, INC. COPYRIGHT 2013 WWW.SOLATUBE.COM		 1200 CHINA PISCINE WAY VISTA, CALIFORNIA 92081-0341 PH: (760) 937-4420	
MATERIAL	—	DRAWN BY	STEVE S	DATE	11 NOV 13
FINISH	—	CHECKED BY	—	DATE	—
DO NOT SCALE DRAWING		APPROVED BY	—	DATE	—
TITLE: M74 DS AMPLIFIER CURB MOUNT OPEN CEILING			SHEET D	DWG. NO. SM74DS-O-DPP-A-FC-OC	REV 2
SCALE: 1:1			SHEET 1 OF 1		