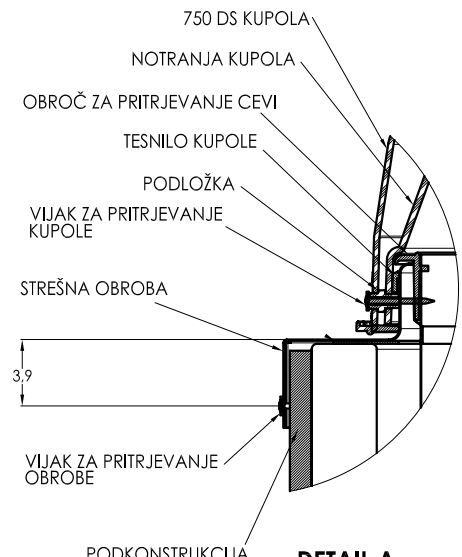
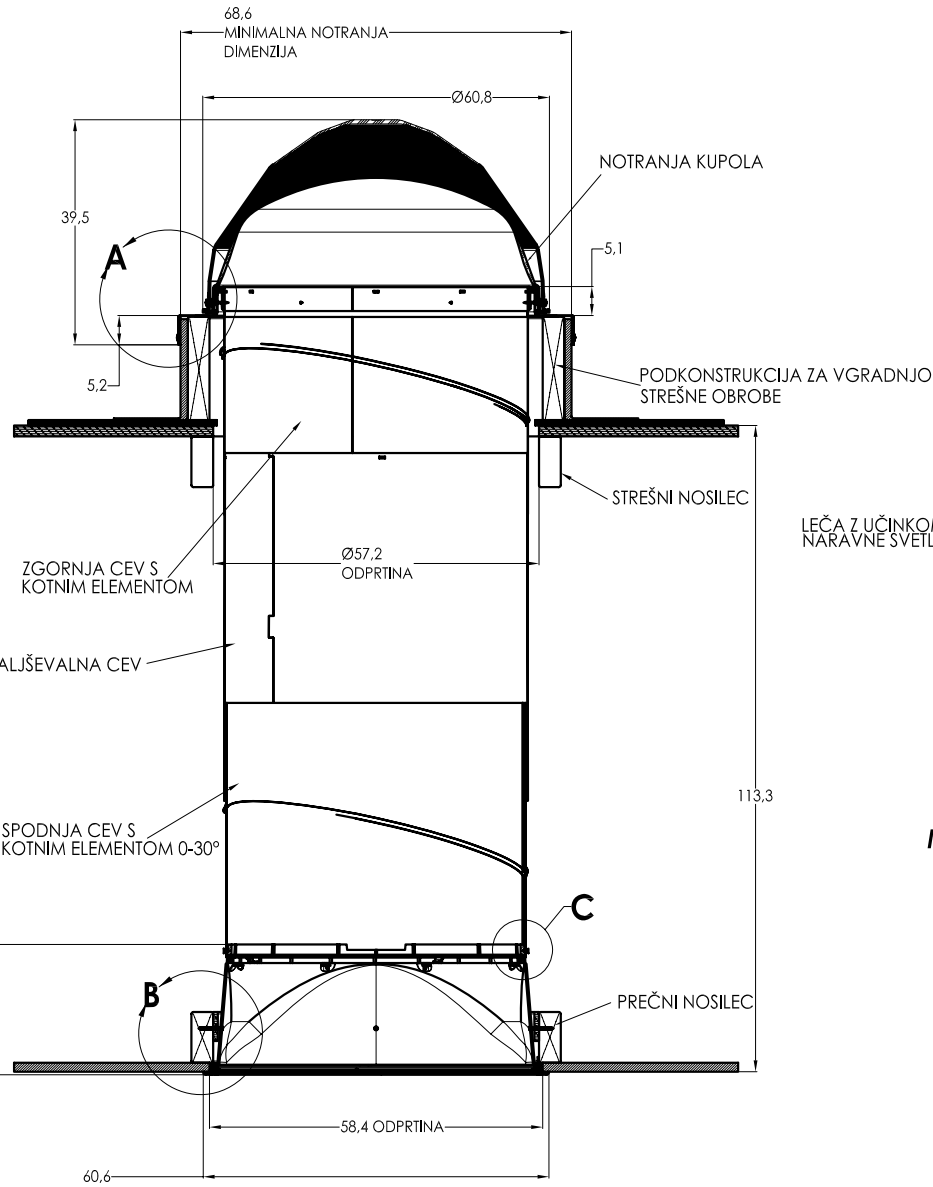
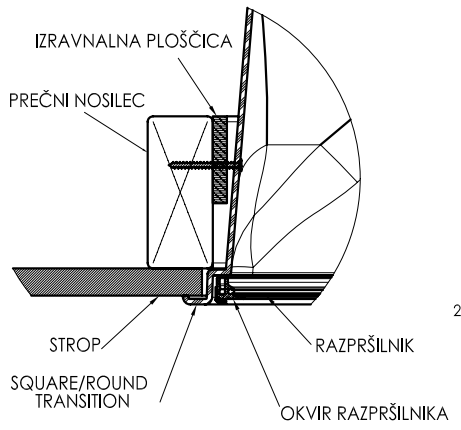


REVISIONS				
ECO	REV.	DESCRIPTION	DATE	INC.
	2	REVISED OUTSIDE CAP DIMENSION	10/14/08	CS

SOLATUBE 750 DS-C OBROBA Z ROBOM

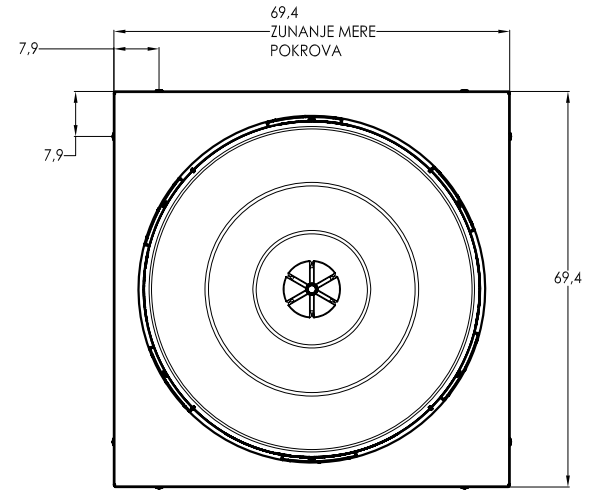


**DETAIL A
MERO 3 : 1**

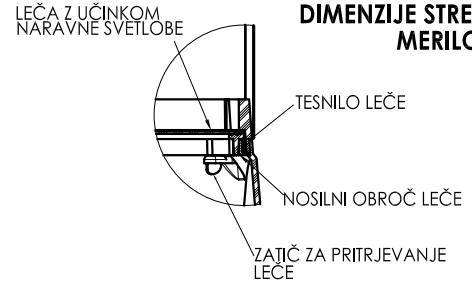


**DETAIL B
MERO 3 : 1**

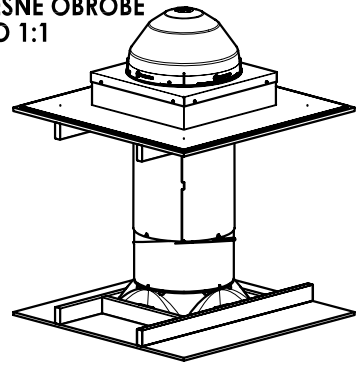
**PREREZ SKOZI SOLATUBE 750 DS -C
MERO 1:1**



**DIMENZIJE STREŠNE OBROBE
MERO 1:1**




**DETAIL C
MERO 3 : 1**



OPOMBA: Mere so v cm

UNLESS OTHERWISE SPECIFIED:		
DIMENSIONS ARE IN INCHES		
TOLERANCES:		
ANGULAR: ±0.5°		
.X ± .1		
.XX ± .02		
.XXX ± .005		
MATERIAL	DRAWN BY	DATE
-	STEVENS	7/11/08
FINISH	CHECKED BY	DATE
-	-	-
DO NOT SCALE DRAWING	APPROVED BY	DATE
-	-	-

		
TITLE: 750 DS-C CURB CAP HARD CEILING		
SIZE	DWG. NO.	REV
-	WEB-750-CF-HC	2
SCALE: 1:1	SHEET 1 OF 1	