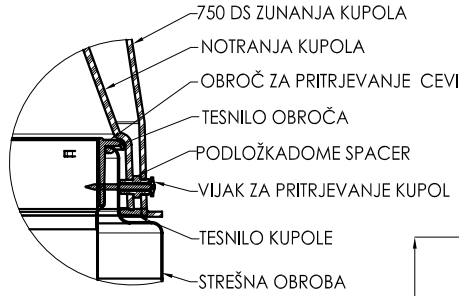
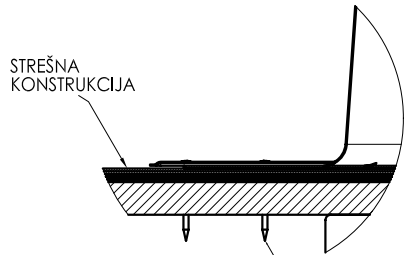


REVISIONS				
ECO	REV.	DESCRIPTION	DATE	INC.
	1	INITIAL RELEASE	3/2/09	CS

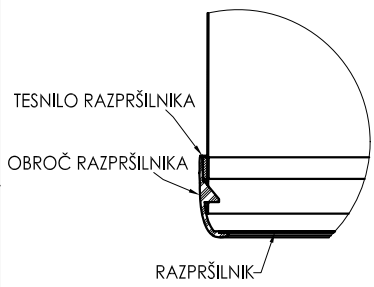
**SOLATUBE 750 DS-O
(530 MM)
OBROBA RAVNA, ODPRT SISTEM**



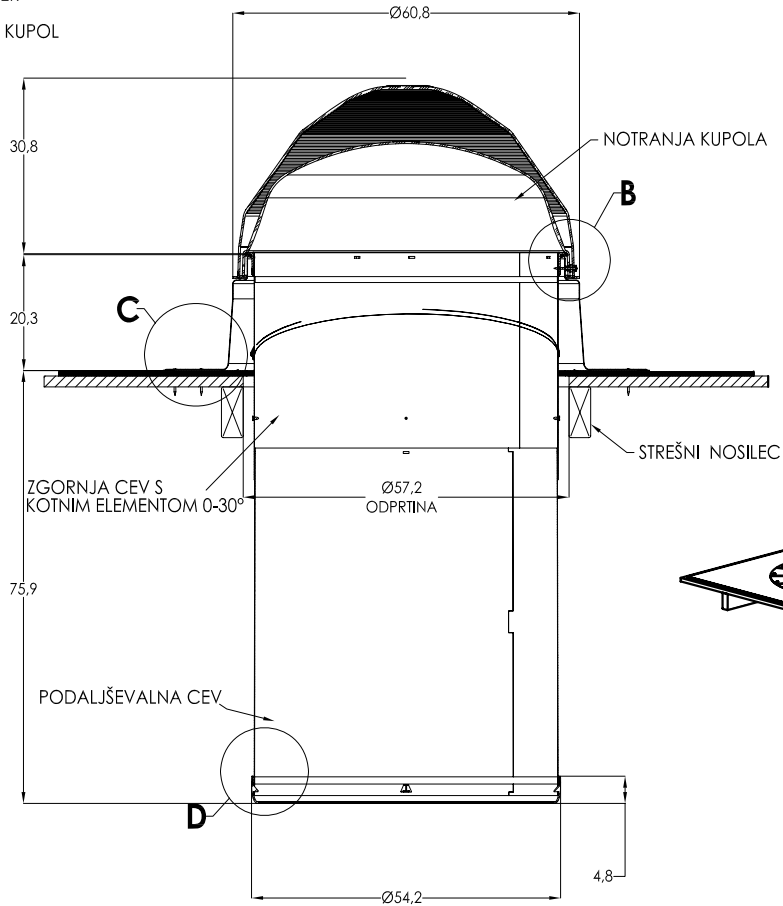
**DETAIL B
MERO 3 : 1**



**DETAIL C
MERO 3 : 1**

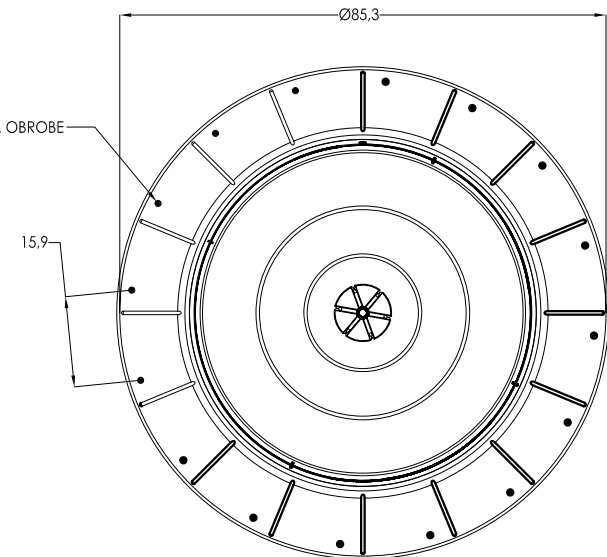


**DETAIL D
MERO 3 : 1**

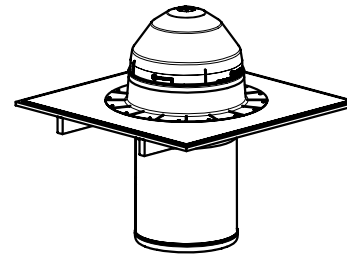


**PREREZ SKOZI SOLATUBE 750 DS-O
MERO 1:1**

16X VIJAK ZA PRITRJEVANJE STR. OBROBE



**DIMENZIJE OBROBE
MERO 1 : 2**



OPOMBA: Mere so v cm

UNLESS OTHERWISE SPECIFIED: DIMENSIONS ARE IN INCHES TOLERANCES: ANGULAR: ±0.5° .X ± .1 .XX ± .02 .XXX ± .005		SOLATUBE INTERNATIONAL, INC. COPYRIGHT 2009 WWW.SOLATUBE.COM			
MATERIAL -	DRAWN BY STEVENS	DATE 3/2/09	TITLE 750 DS (21") SELF-FLASHING OPEN CEILING		
FINISH -	CHECKED BY -	DATE -	SITE	DWG. NO. WEB-750-SF8-OC-AA	REV 1
DO NOT SCALE DRAWING		APPROVED BY -	DATE -	SCALE: 1:1	SHEET 1 OF 1