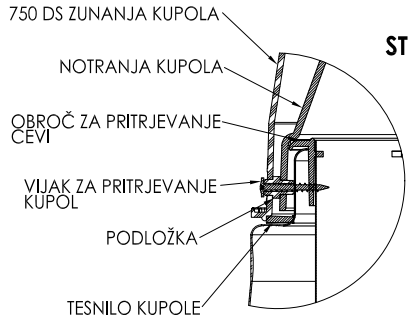


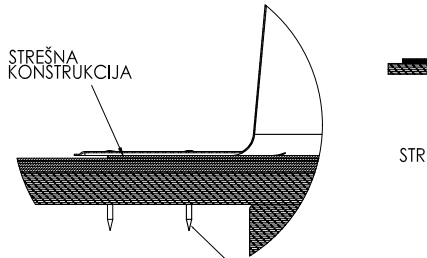
**SOLATUBE 750 DS-C
(530 MM)**

STREŠNA OBROBA, ZAPRT SISTEM , DNEVNI ZATEMNJEVALNIK, TRD STROP

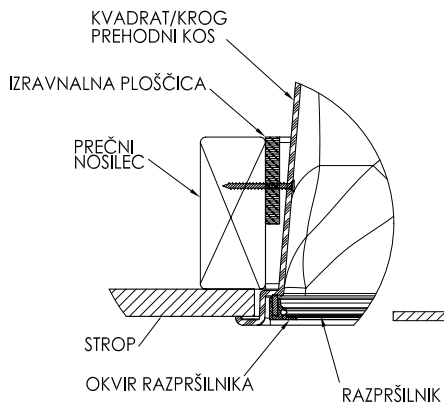
REVISIONS				
ECO	REV.	DESCRIPTION	DATE	INC.
	1	INITIAL RELEASE	3/14/2008	CS



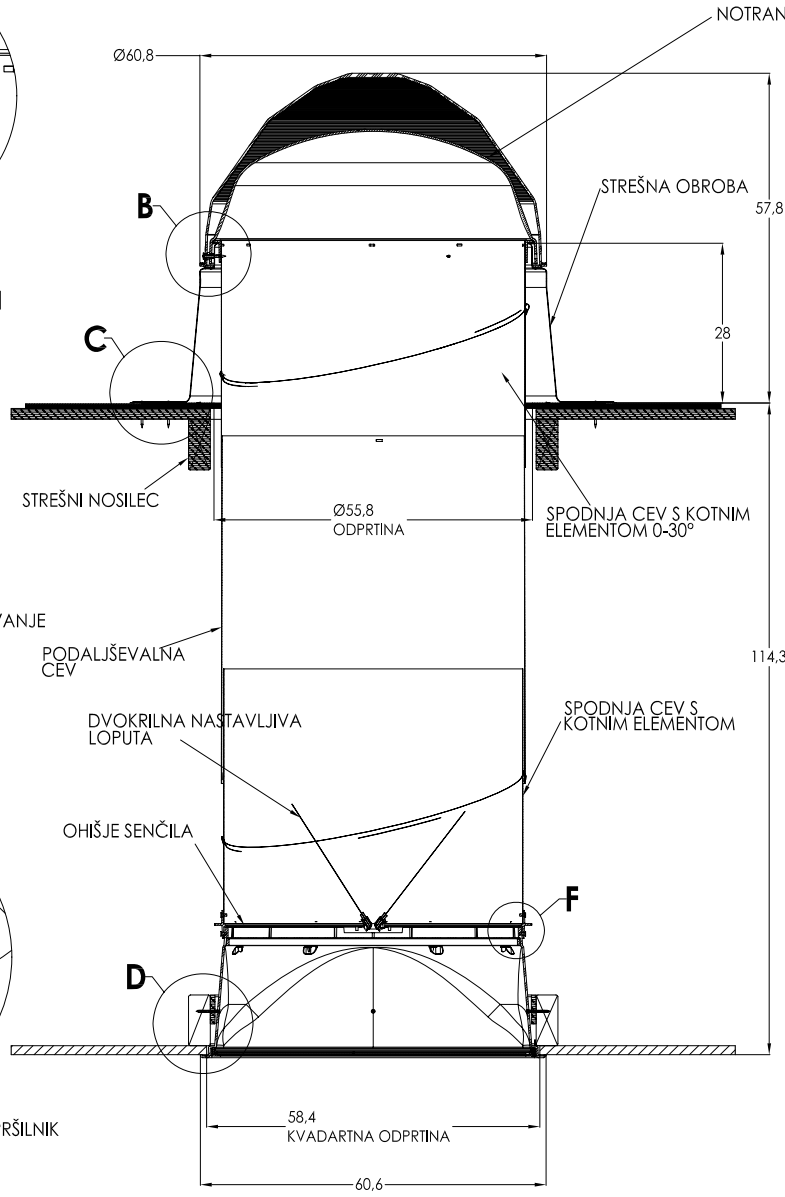
**DETAIL B
MERO 3 : 1**



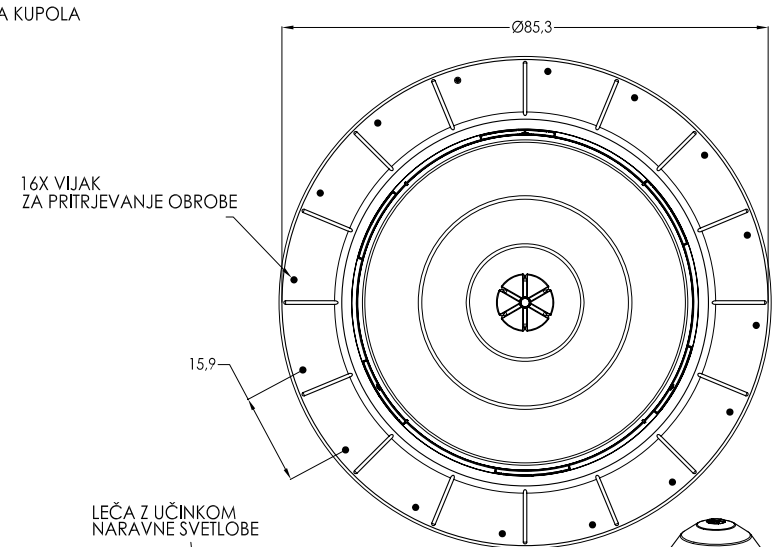
**DETAIL C
MERO 3 : 1**



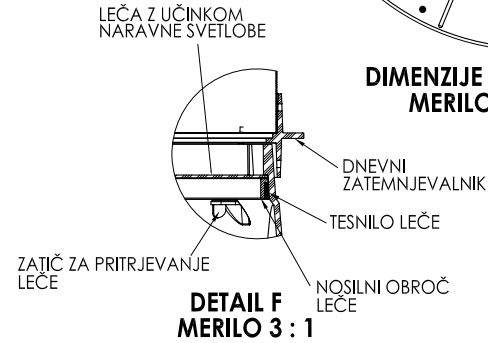
**DETAIL D
MERO 3 : 1**



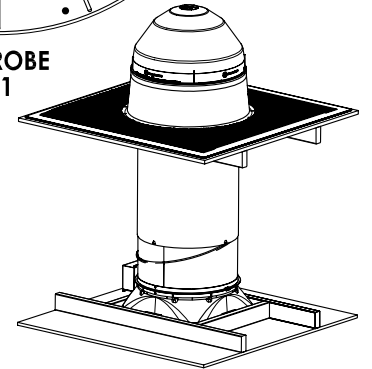
**PREREZ SKOZI SOLATUBE 750 DS-C
MERO 1:1**



**DIMENZIJE OBROBE
MERO 1 : 1**



**DETAIL F
MERO 3 : 1**



OPOMBA: Mere so v cm

UNLESS OTHERWISE SPECIFIED: DIMENSIONS ARE IN INCHES TOLERANCES: ANGULAR: ±0.5° X ± .10 .XX ± .02 .XXX ± .005		SOLATUBE INTERNATIONAL, INC. COPYRIGHT 2008 WWW.SOLATUBE.COM		 750 DS-C SELF FLASHING HARD CEILING W/DD	
MATERIAL -	DRAWN BY STEVENS	DATE 7/1/08	SRE	DWG. NO. WEB-750-SF-HC-DD	REV 1
FINISH -	CHECKED BY -	DATE -	SCALE: 1:1	SHEET 1 OF 1	
DO NOT SCALE DRAWING		APPROVED BY -	DATE -		