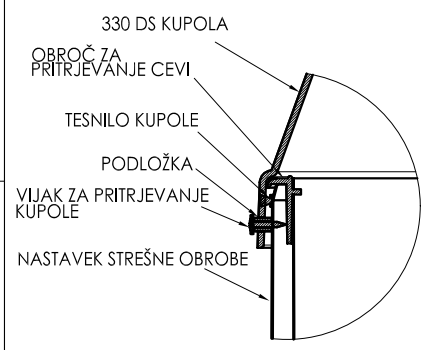
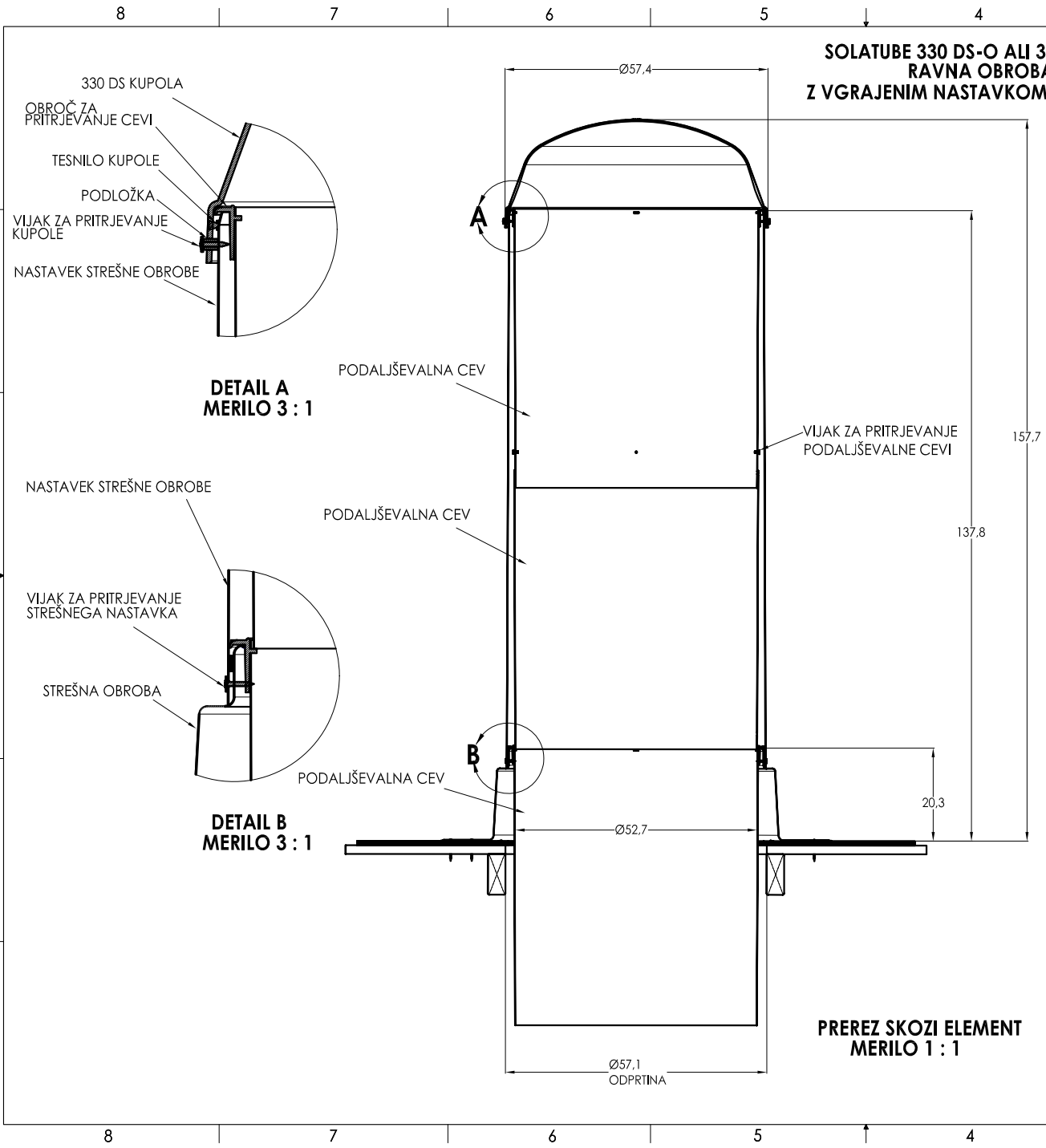
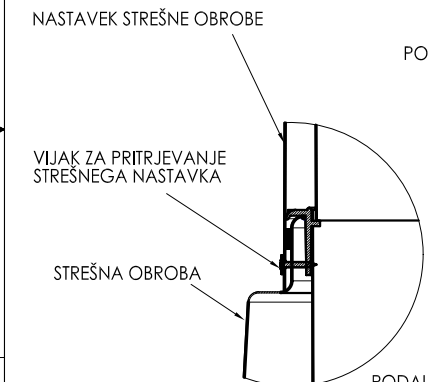


**SOLATUBE 330 DS-O ALI 330 DS-C
RAVNA OBROBA
Z VGRAJENIM NASTAVKOM STREŠNE OBROBE**

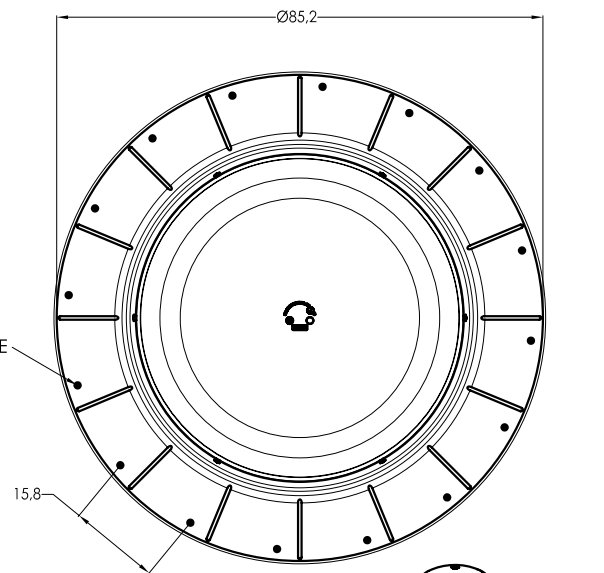
REVISIONS				
ECO	REV.	DESCRIPTION	DATE	INC.
	1	INITIAL RELEASE	7/1/08	CS



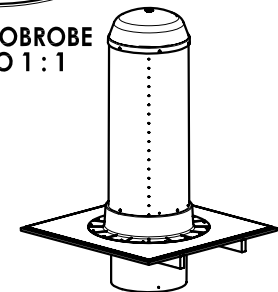
**DETAIL A
MERILO 3 : 1**



**DETAIL B
MERILO 3 : 1**




**DIMENZIJE OBROBE
MERILO 1 : 1**



**PREREZ SKOZI ELEMENT
MERILO 1 : 1**

OPOMBA: Mere so v cm

UNLESS OTHERWISE SPECIFIED: DIMENSIONS ARE IN INCHES TOLERANCES: ANGULAR: ±0.5° .X ± .1 .XX ± .02 .XXX ± .005		SOLATUBE INTERNATIONAL, INC. COPYRIGHT 2008 WWW.SOLATUBE.COM		 TITLE: 330 DS-O OR 330 DS-C SELF FLASHING	
MATERIAL -	DRAWN BY STEVENS	DATE 7/1/08	SIZE D	DWG. NO. WEB-330-SF-TUREXT	REV 1
FINISH -	CHECKED BY -	DATE -	SCALE: 1:1	SHEET 1 OF 1	
DO NOT SCALE DRAWING		APPROVED BY -	DATE -		