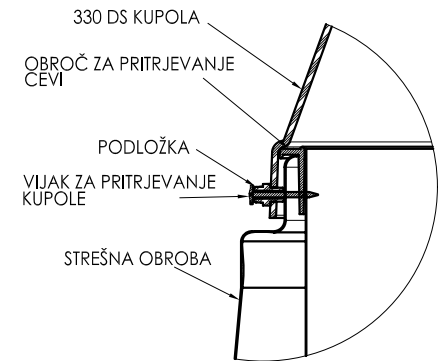
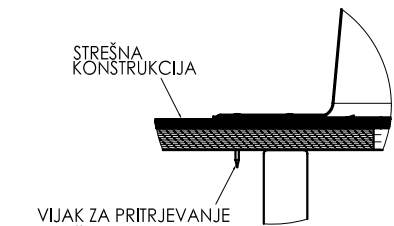


8 7 6 5 4 3 2 1

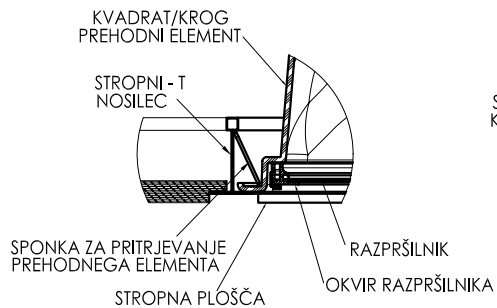
**SOLATUBE 330 DS-C
(530 MM)
SPUŠČEN RASTERSKI STROP, KOVINSKA OBROBA**



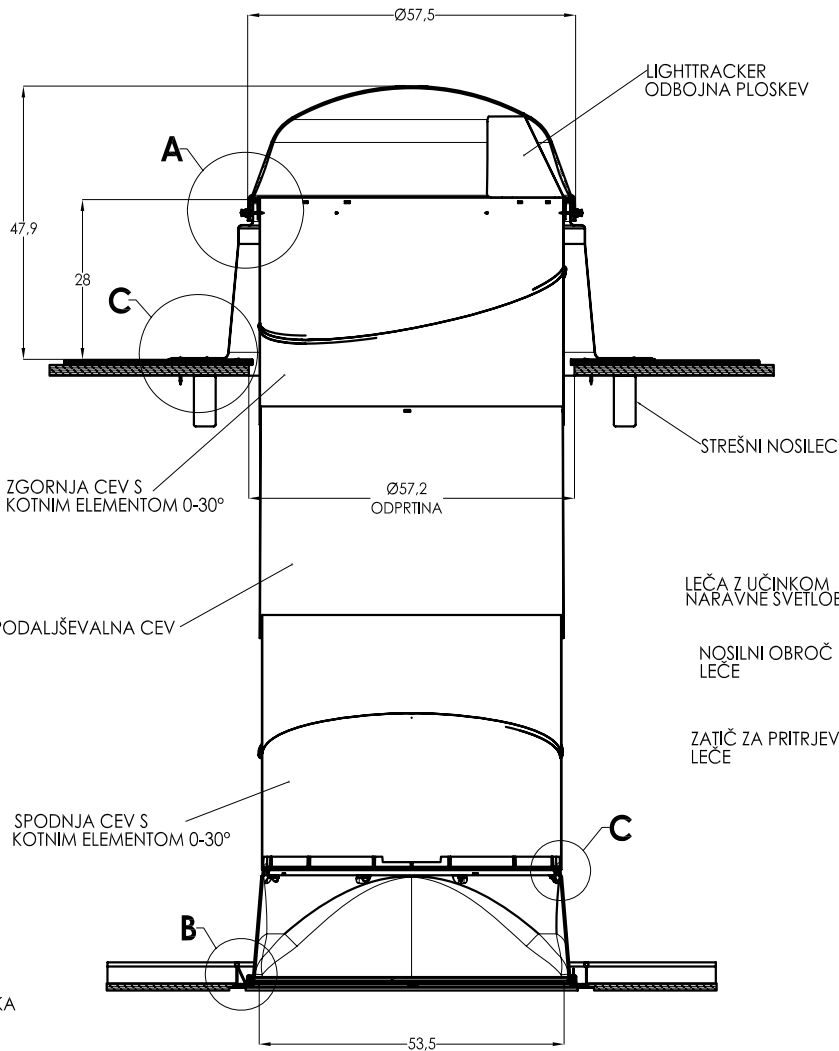
**DETAIL A
MERO 3 : 1**



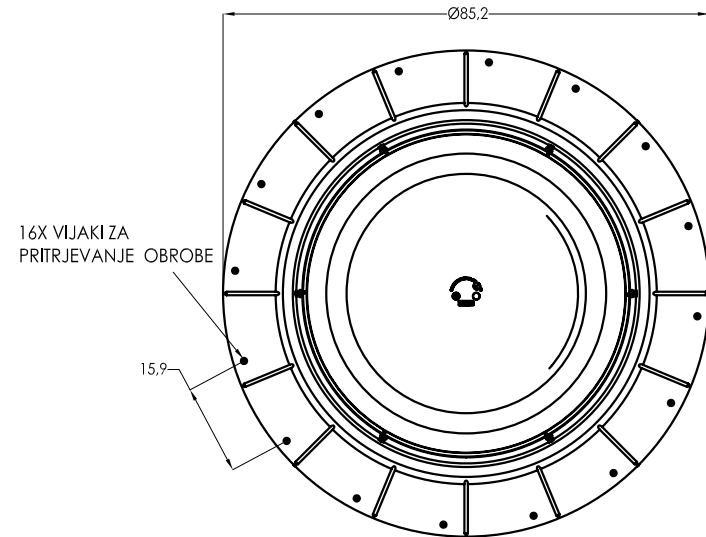
**DETAIL C
MERO 2 : 1**



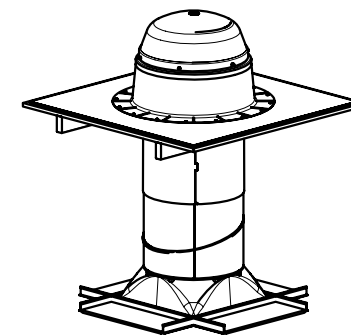
**DETAIL B
MERO 3 : 1**



**PREREZ SKOZI SOLATUBE 330 DS-C
MERO 1:1**



**DIMENZIJE OBROBE
MERO 1:1**



**DETAIL C
MERO 3 : 1**

OPOMBA: Mere so v cm

UNLESS OTHERWISE SPECIFIED: DIMENSIONS ARE IN INCHES TOLERANCES: ANGULAR: ±0.5° X ± .1 .XX ± .02 .XXX ± .005		SOLATUBE INTERNATIONAL, INC. COPYRIGHT 2007 WWW.SOLATUBE.COM		 TITLE: 330 DS (21") SELF FLASHING SUSPENDED CEILING	
MATERIAL	—	DRAWN BY	STEVENS	DATE	3/11/09
FINISH	—	CHECKED BY	—	DATE	—
DO NOT SCALE DRAWING	—	APPROVED BY	—	DATE	—
				SIZE	DWG. NO. WEB-330-SF11-SC-AA
				SCALE: 1:1	REV 1 SHEET 1 OF 1

8 7 6 5 4 3 2 1