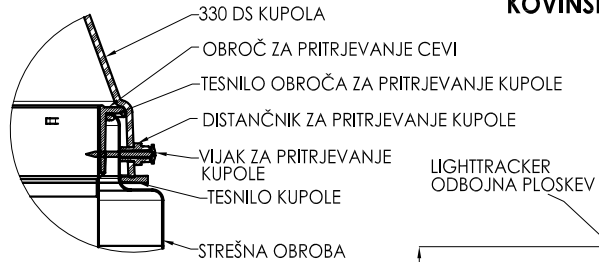
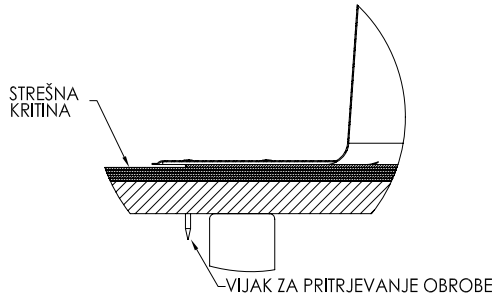


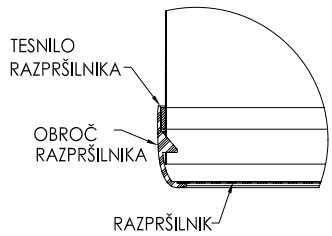
**SOLATUBE 330 DS-O
(530 MM)
KOVINSKA OBROBA, ODPRT SISTEM, KOTNI ELEMENT 0-30°**



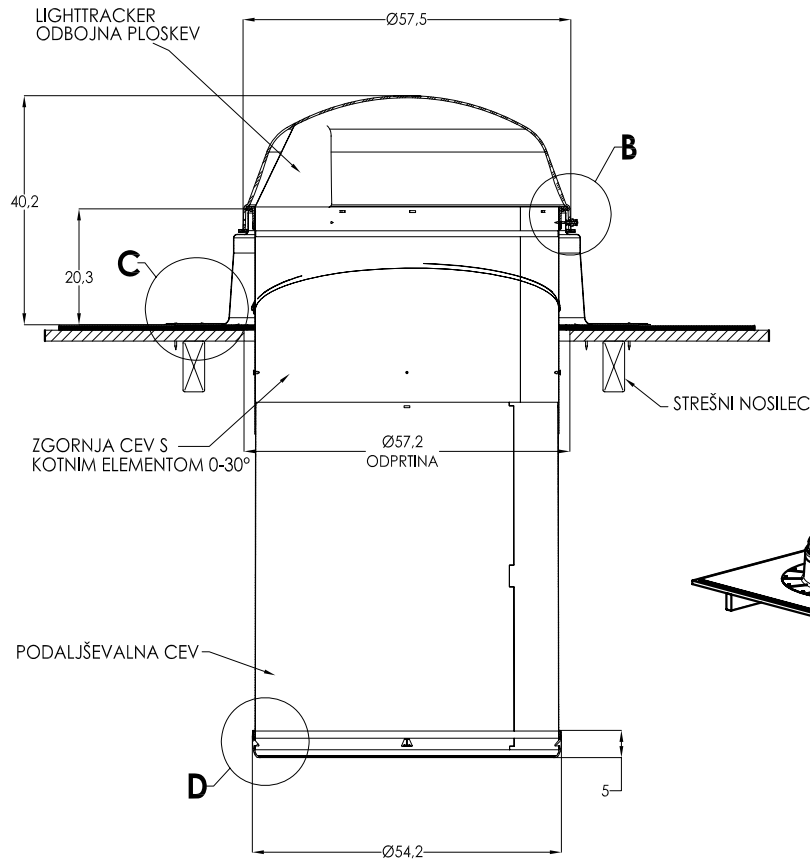
**DETAIL B
MERO 3 : 1**



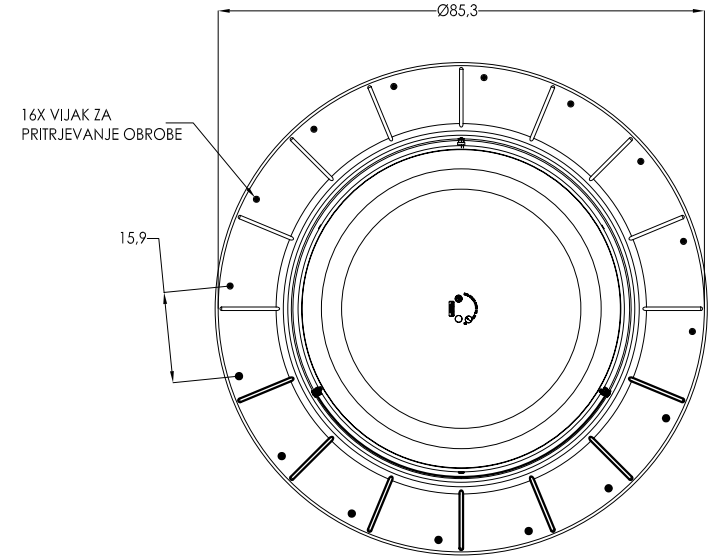
**DETAIL C
MERO 3 : 1**



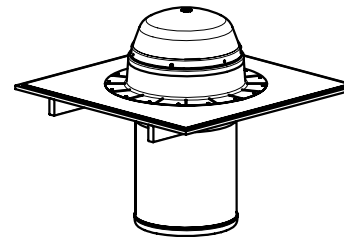
**DETAIL D
MERO 3 : 1**



**PREREZ SKOZI SOLATUBE 330 DS-O
MERO 1:1**



**DIMENZIJE OBROBE
MERO 1 : 2**



OPOMBA: Mere so v cm

UNLESS OTHERWISE SPECIFIED: DIMENSIONS ARE IN INCHES TOLERANCES: ANGULAR: ±0.5° .X ± .1 .XX ± .02 .XXX ± .005		SOLATUBE INTERNATIONAL, INC. COPYRIGHT 2009 WWW.SOLATUBE.COM		 SOLATUBE 2251 CHINA BROSSE WAY VISTA, CALIFORNIA 92081-8341 PH: (760) 937-4400	
MATERIAL -	DRAWN BY STEVENS	DATE 3/2/09	TITLE: 330 DS (21") SELF-FLASHING OPEN CEILING		
FINISH -	CHECKED BY -	DATE -	SITE	DWG. NO. WEB-330-SF8-OC-AA	REV 1
DO NOT SCALE DRAWING		APPROVED BY -	DATE -	SCALE: 1:1	SHEET 1 OF 1