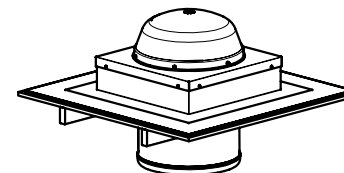
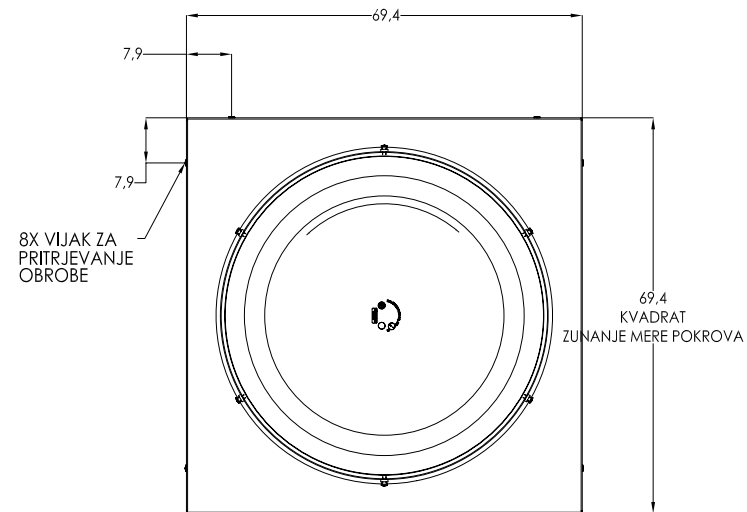
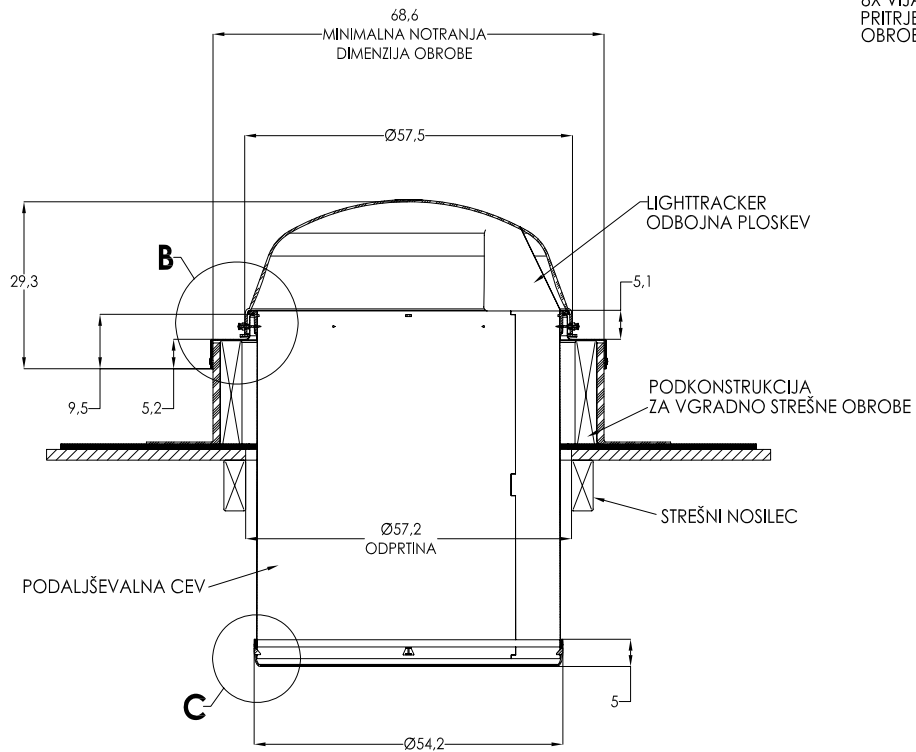
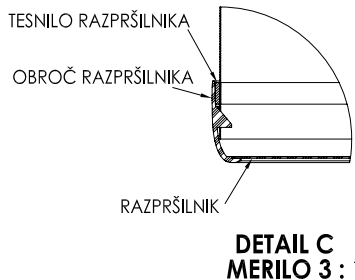
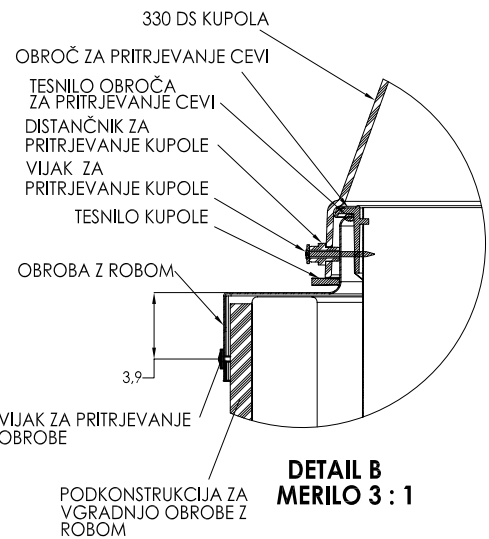



**SOLATUBE 330 DS-O
(530 MM)
OBROBA Z ROBOM, ODPRT SISTEM, BREZ KOTNEGA ELEMENTA**



OPOMBA: Mere so v cm

UNLESS OTHERWISE SPECIFIED:		SOLATUBE INTERNATIONAL, INC. COPYRIGHT 2009 WWW.SOLATUBE.COM		 <small>2200 CHINA HOUSEWAY VISTA, CALIFORNIA 92081-0341 PH: (760) 587-4400</small>	
DIMENSION TOLERANCE FRACTIONS ± 1/4" INCH MILLIMETER .XX ± .06 [XX] ± 1.5		DRAWN BY STEVENS	DATE 3/2/09	TITLE: 330 DS (21") CURB CAP OPEN CEILING	
MATERIAL -	CHECKED BY -	DATE -	SITE	DWG. NO. WEB-330-CF-OC-NA	REV 1
FINISH -	APPROVED BY -	DATE -	SCALE: 1:1	SHEET 1 OF 1	
DO NOT SCALE DRAWING					