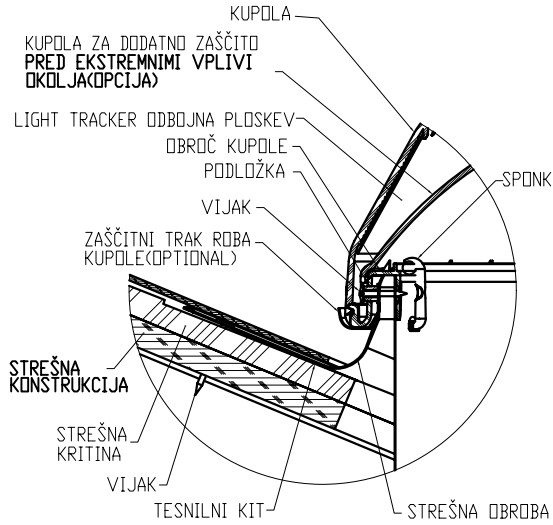
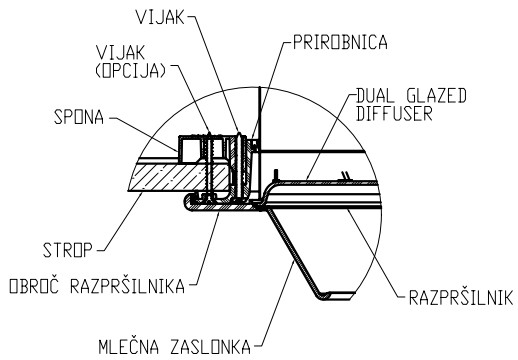


REVISIONS				
ECO	REV.	DESCRIPTION	DATE	INC.
	A	RELEASED	9/12/07	

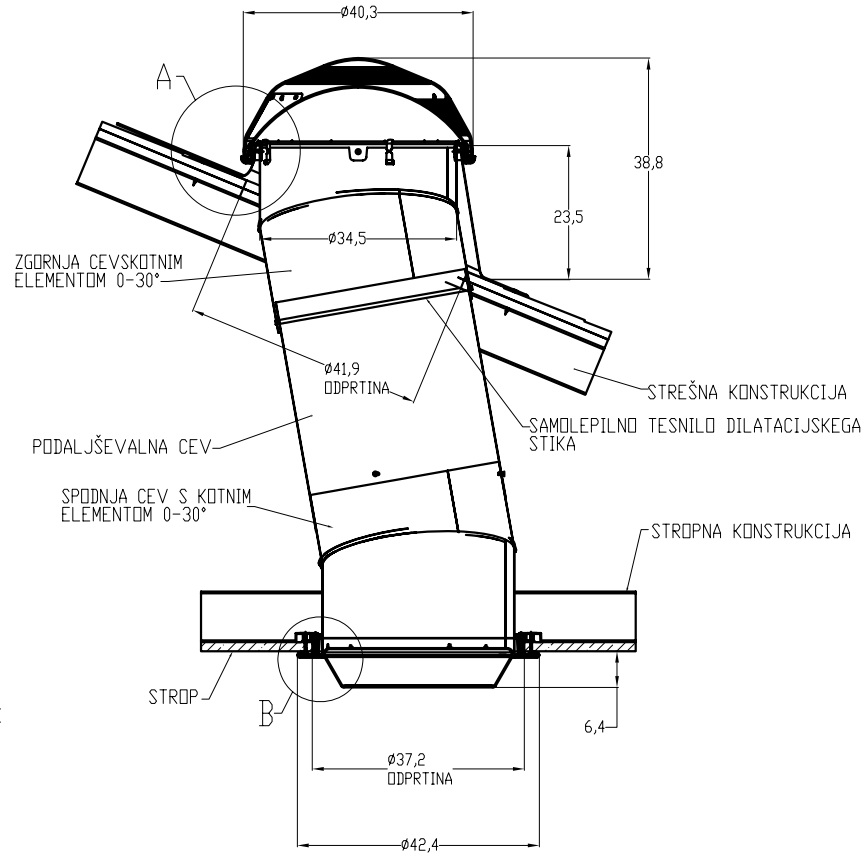
SOLATUBE 290DS
VGRAJEN NA POŠEVNI STREHI Z
RAZPRŠILNIKOM Z MLEČNO ZASLONKO



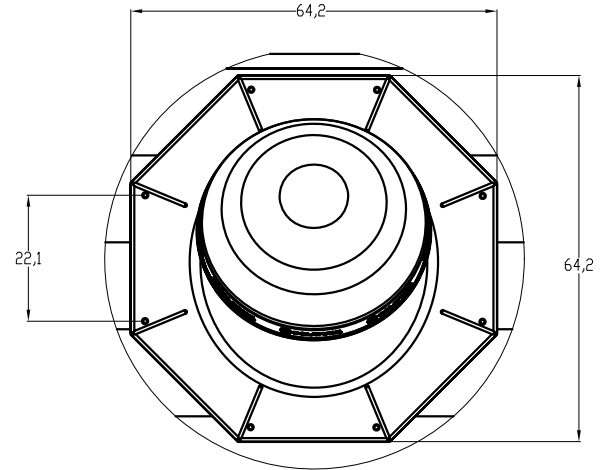
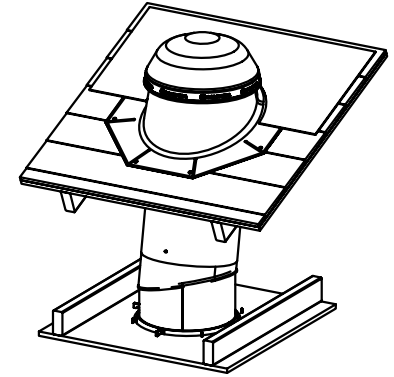
DETAIL A
MERILO 3 : 1



DETAIL B
MERILO 3 : 1



PREREZ SKOZI SOLATUBE 290 DS
MERILO 1:1



DIMENZIJE OBROBE

OPOMBA: Mere so v cm

UNLESS OTHERWISE SPECIFIED: DIMENSION TOLERANCE FRACTION: ±1/4" INCH 1 ± 1		SOLATUBE INTERNATIONAL, INC. COPYRIGHT 2006 WWW.SOLATUBE.COM		 <small>2900 CHINA RIDGE WAY VISTA, CALIFORNIA 92081-0341 PH: (760) 937-4400</small>	
MATERIAL ---	DRAWN BY STEVENS	DATE 9/12/07	TITLE: SOLATUBE 290DS PITCHED SELF-FLASHING HARD CEILING (FS)		
FINISH ---	CHECKED BY ---	DATE ---	SIZE D	DWG. NO. 290DS-HC(FS)-SFP	REV A
DO NOT SCALE DRAWING		APPROVED BY ---	DATE ---	SCALE: 1:1	SHEET 1 OF 1