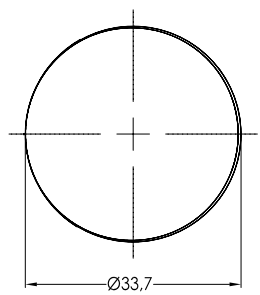
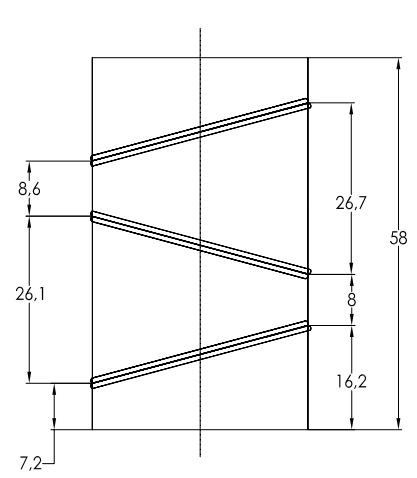
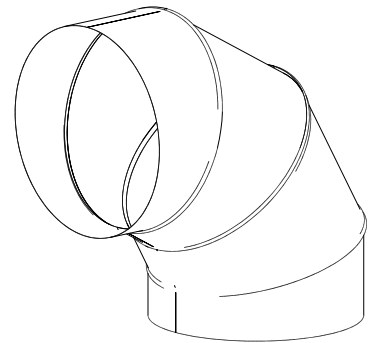


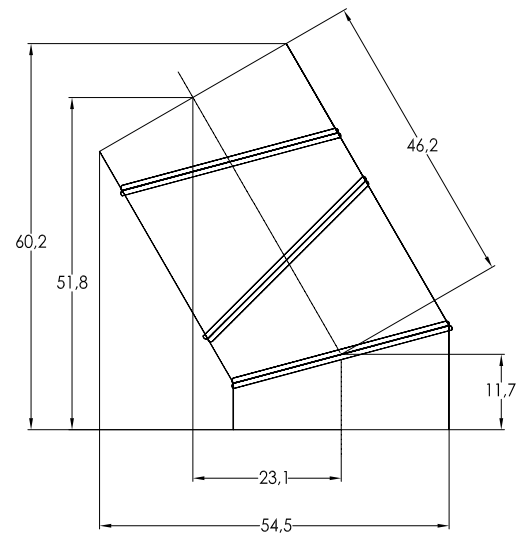
REVISIONS				
ECO	REV.	DESCRIPTION	DATE	INC.
	1		2/17/2006	



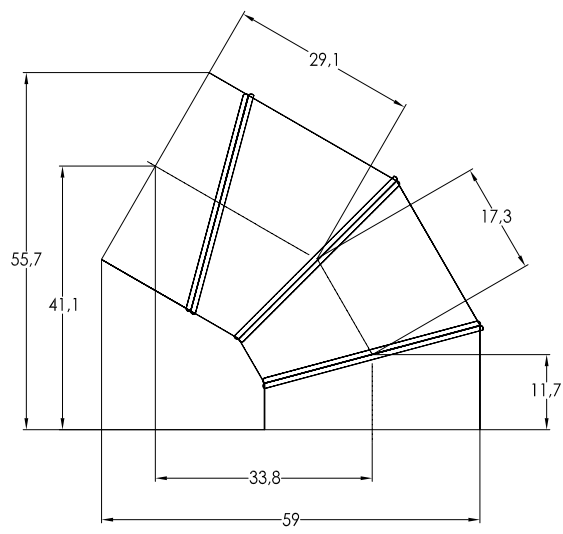
**PREMER ZGORNJEGA DELA
KOTNEGA ELEMENTA
MEROLO 1:1**



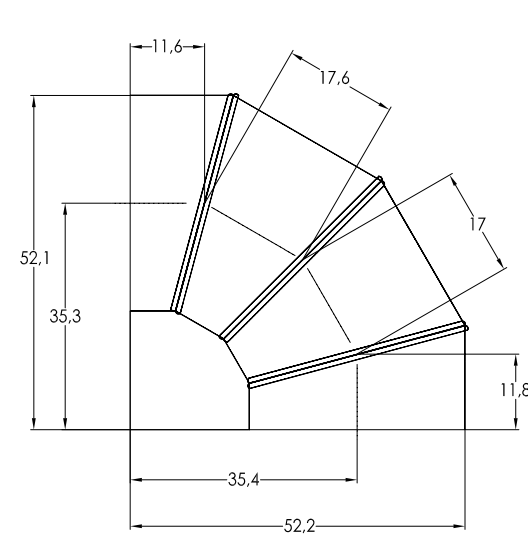
**PORAVNAN KOTNI ELEMENT
MEROLO 1:1**



**KOT 30°
MEROLO 1:1**



**KOT 60°
MEROLO 1:1**



**KOT 90°
MEROLO 1:1**

OPOMBA: Mere so v cm

UNLESS OTHERWISE SPECIFIED:		TOLERANCES		ANGULAR: ±0.5°		PROPRIETARY AND CONFIDENTIAL	
INCH		MILLIMETER		XX ± .01		THE INFORMATION CONTAINED IN THIS DRAWING IS THE SOLE PROPERTY OF SOLATUBE. ANY REPRODUCTION IN PART OR AS A WHOLE WITHOUT THE WRITTEN PERMISSION OF SOLATUBE IS PROHIBITED.	
X ± .2		X ± .25		XX ± .12		DATE	
XXX ± .025		XXX ± .025		XXX ± .025		2/17/06	
MATERIAL	---	DRAWN BY	STEVENS	DATE	2/17/06	TITLE: 0-90 DEGREE EXT. TUBE 290 DS	
CHECKED BY	---	APPROVED BY	---	DATE	---	SIZE	DWG. NO.
DO NOT SCALE DRAWING	---	---	---	---	---	D	14-90DEG-EXT
						REV	1
						SHEET 1 OF 1	

