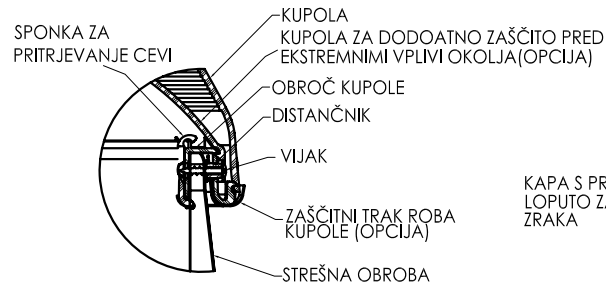
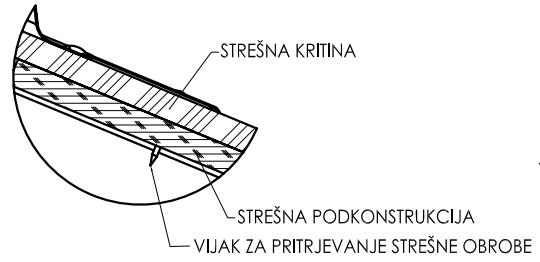


# SOLATUBE 160 DS Z VGRAJENIM KOMPLETOM ZA PREZRAČEVANJE

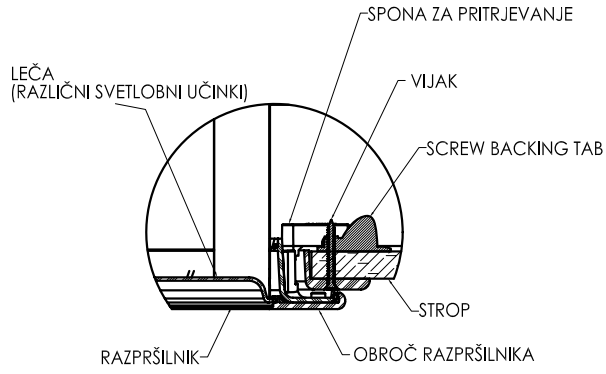
REVISIONS				
ECO	REV	DESCRIPTION	DATE	INC
	A	RELEASED	2/27/04	CS
	B	REVISED VENT SYSTEM	12/15/2008	CS



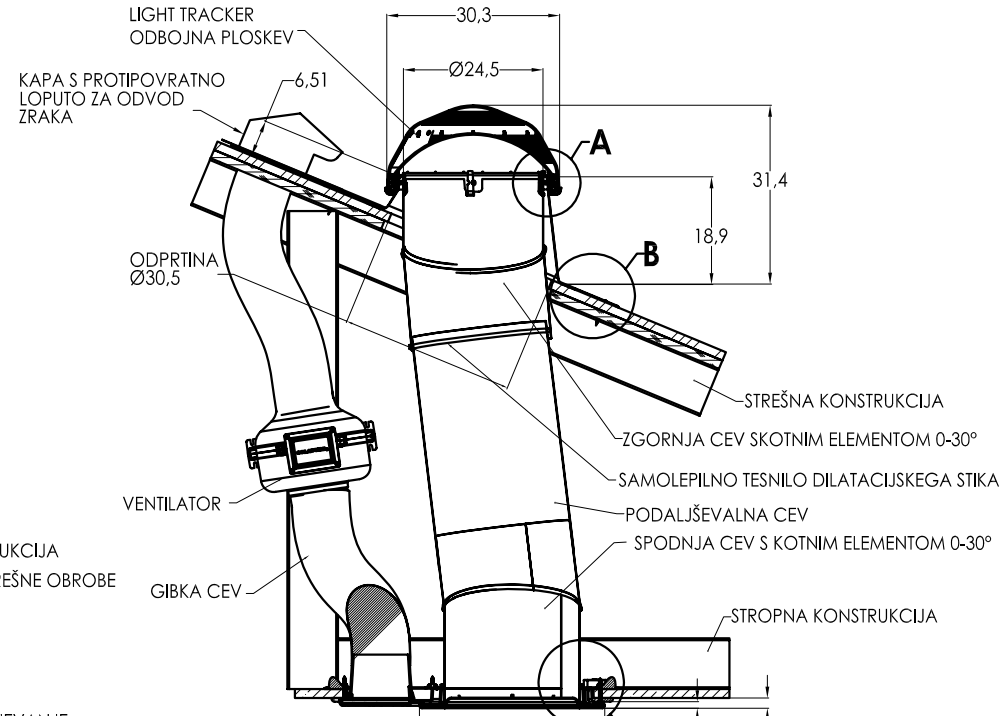
**DETAIL A  
MERO 3 : 1**



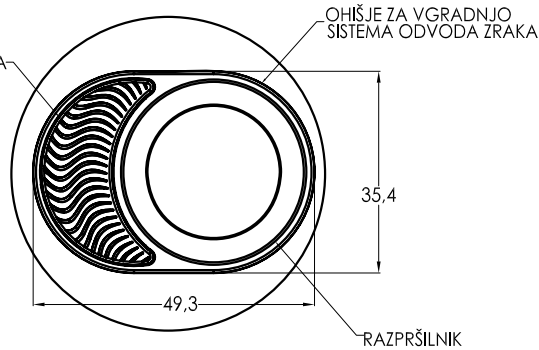
**DETAIL B  
MERO 3 : 1**



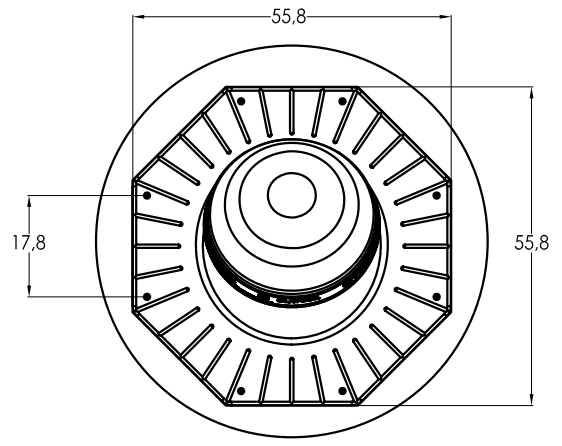
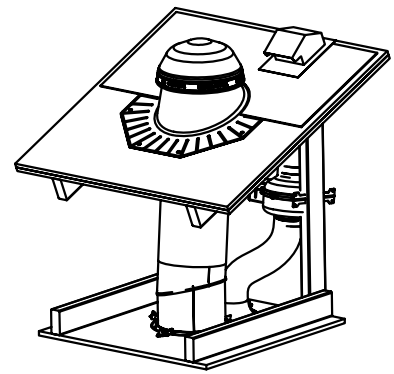
**DETAIL C  
MERO 3 : 1**



**PREREZ SKOZI SOLATUBE  
MERO 1:1**



**NA STROPU**



**DIMENZIJE OBROBE**

**OPOMBA: Mere so v cm**

UNLESS OTHERWISE SPECIFIED:		SOLATUBE INTERNATIONAL, INC. COPYRIGHT 2002 WWW.SOLATUBE.COM			
DIMENSION TOLERANCE		DRAWN BY	DATE	TITLE:	
INCH ± 1/16	MILLIMETER [X] ± 0.5 [XX] ± 1.5	STEVENS	11/2/06	160 DS PITCHED SELF FLASHING HARD CEILING W/ VENT UNIT	
MATERIAL		CHECKED BY	DATE	SITE	DWG. NO.
-		-	-	D	160DS-HC-SFP-VENT
FINISH		APPROVED BY	DATE	REV	
-		GOODJOHN	11/7/06	B	
DO NOT SCALE DRAWING				SCALE: 1:1	SHEET 1 OF 1