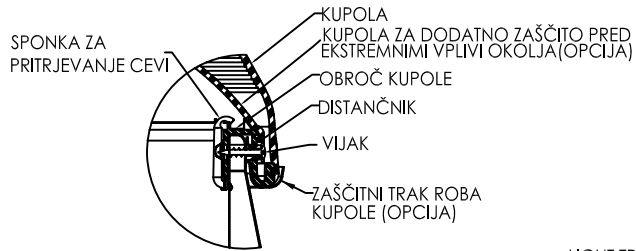
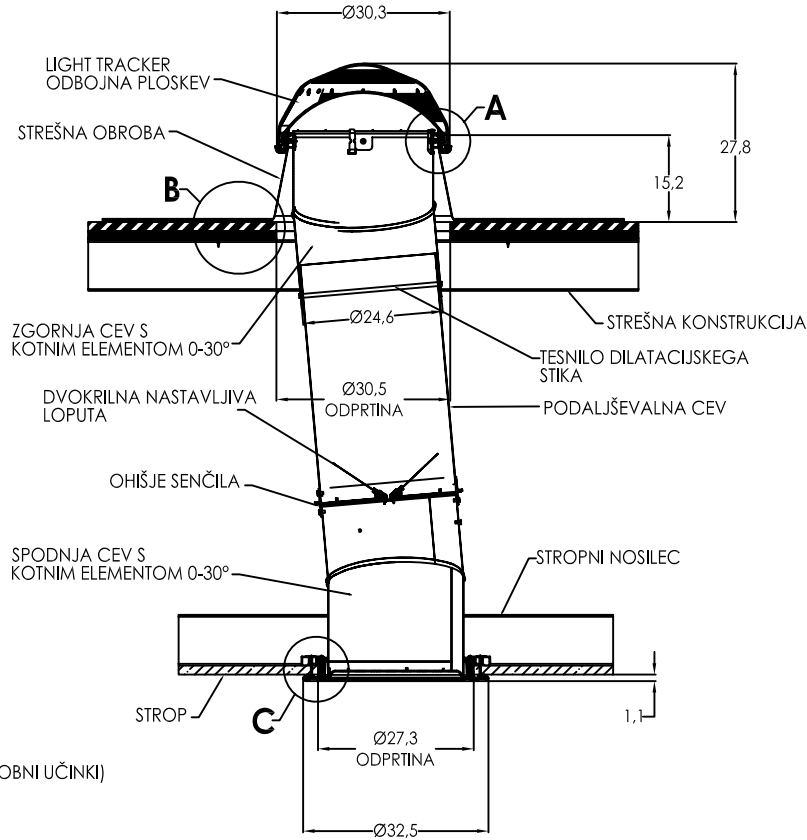


REVISIONS				
ECO	REV.	DESCRIPTION	DATE	INC.
	A	RELEASED	2/27/2004	

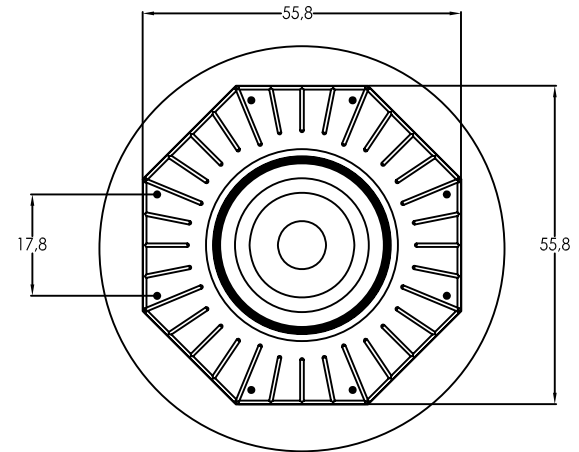
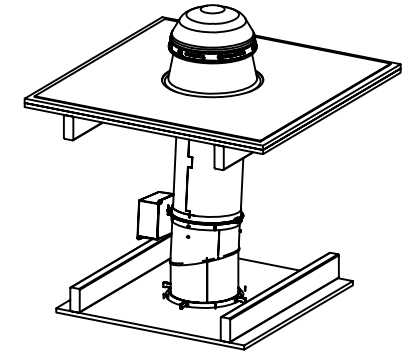
SOLATUBE 160DS NA RAVNI STREHI Z VGRAJENIM SENČILOM



**DETAIL A
MERO 3 : 1**

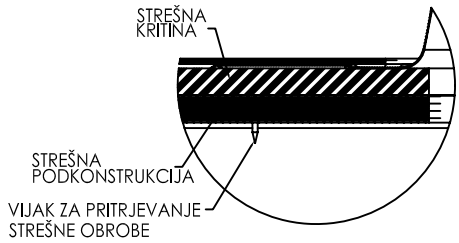


**PREREZ SKOZI SOLATUBE 160 DS
MERO 1:1**

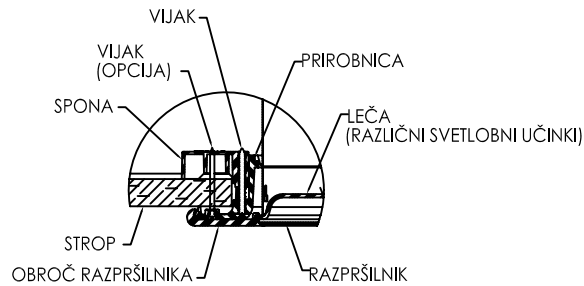


DIMENZIJE OBROBE

OPOMBA: Mere so v cm



**DETAIL B
MERO 3 : 1**



**DETAIL C
MERO 3 : 1**

UNLESS OTHERWISE SPECIFIED: DIMENSION-TOLERANCE FRACTION : ± 1/4" INCH X ± .1		SOLATUBE INTERNATIONAL, INC. COPYRIGHT 2006 WWW.SOLATUBE.COM		 2200 CHINA BLOSSOM WAY VISTA, CALIFORNIA 92081-4341 PH: (760) 937-4420	
MATERIAL -	DRAWN BY STEVENS	DATE 11/2/06	TITLE: SOLATUBE 160DS SELF-FLASHING HARD CEILING W/ DAYLIGHT DIMMER		
FINISH -	CHECKED BY -	DATE -	SITE D	DWG. NO. 160DS-HC-SF6-DD	REV A
DO NOT SCALE DRAWING		APPROVED BY GOODJOHN	DATE 11/7/06	SCALE: 1:1	SHEET 1 OF 1