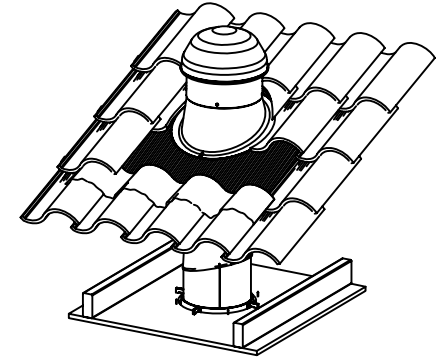
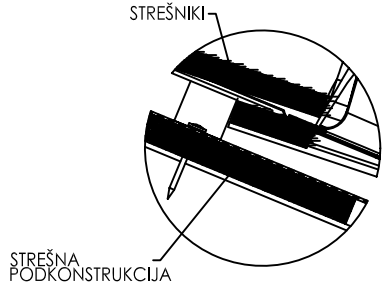


REVISIONS				
ECO	REV.	DESCRIPTION	DATE	INC.
	A	RELEASED	2/27/2004	

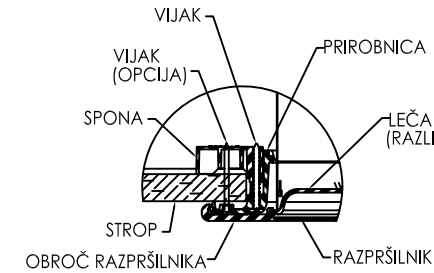
SOLATUBE 160DS Z VGRAJENO UNIVERZALNO STREŠNO OBROBA



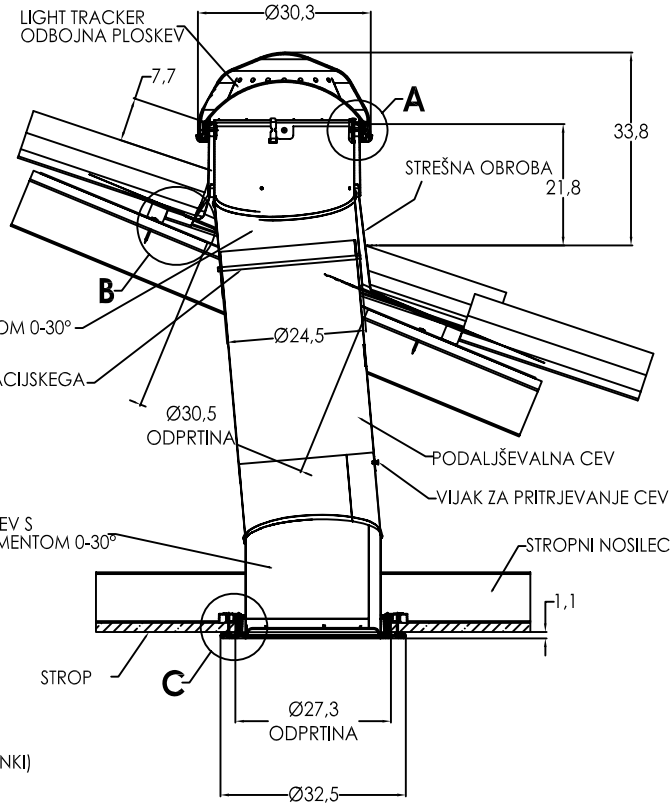
**DETAIL A
MERO 3 : 1**



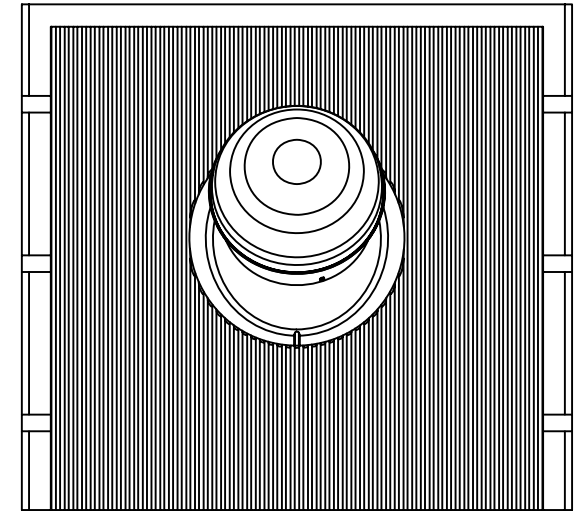
**DETAIL B
MERO 3 : 1**




**DETAIL C
MERO 3 : 1**



**PREREZ SKOZI SOLATUBE 160 DS
MERO 1 : 1**



OBROBA NA STREHI

UNLESS OTHERWISE SPECIFIED: DIMENSION TOLERANCE FRACTION : ± 1/4" INCH X ± .1		SOLATUBE INTERNATIONAL, INC. COPYRIGHT 2006 WWW.SOLATUBE.COM		 <small>2200 CHINA ROAD, SUITE 100 VISTA, CALIFORNIA 92081-4341 PH: (760) 937-4400</small>	
MATERIAL -	DRAWN BY STEVENS	DATE 11/2/06	TITLE: SOLATUBE 160DS PITCHED TILE FLASHING HARD CEILING		
FINISH -	CHECKED BY -	DATE -	SIZE D	DWG. NO. 160DS-HC-TILE	REV A
DO NOT SCALE DRAWING			APPROVED BY GOODJOHN	DATE 11/7/06	SCALE: 1:1 SHEET 1 OF 1