

# Solatube® SolaMaster® Series

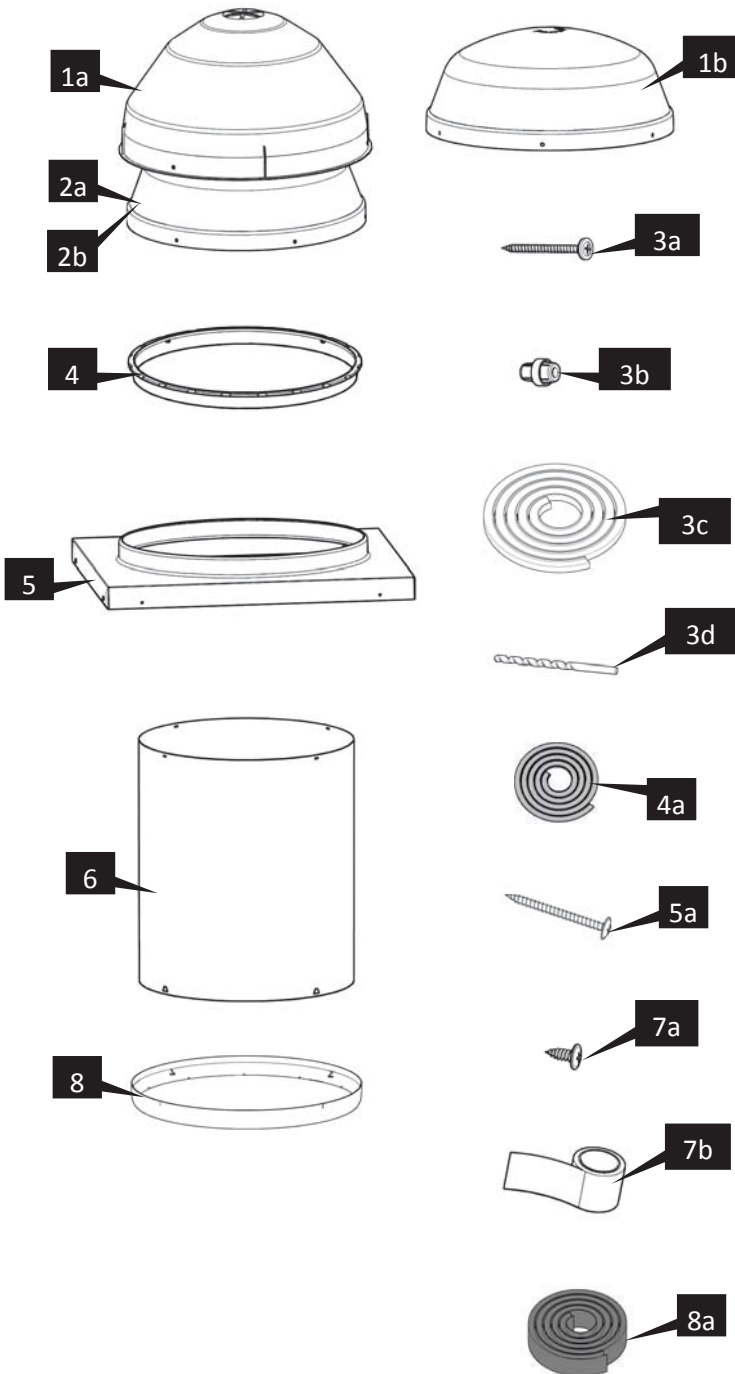
Solatube® 330 DS Daylighting System

Solatube® 750 DS Daylighting System

## Installation Instructions

### Open Ceiling

For Closed Ceiling, see back of this page.



Parts List *		Quantity
Outer Dome Options		
1	a. 750 DS Dome with Raybender® 3000 Technology	(1)
	b. 330 DS Dome with LightTracker™ Reflector	(1)
Inner Dome Option		
2	a. Inner Dome for 750 DS (Optional)	(1)
	b. Inner Dome for 750 DS (Optional, Polycarbonate*†)	(1)
Dome Fasteners		
3	a. Dome Screw #8 X 1 5/8 in (40 mm)	(4)
	b. Dome Spacer	(4)
	c. Dome Seal	(1)
	d. Drill Bit #40 (3/32 in/2.5 mm)	(1)
Tube Ring		
4	a. Tube Ring Seal (Required for all Open Ceiling Units)	(1)
Roof Flashing (4 in (100 mm)*†, 8 in (200 mm)*†, 11 in (280 mm)*† or Curb Cap)		
5	a. Flashing Screws - #10 X 2 in (50 mm)	(21)
	Spectralight® Infinity Tubes	
6	a. 24 in (610 mm) Extension Tube	(1)
	Tube Fastener Kit	
7	a. Tube Screws - #8 X 9/16 in (14 mm)	(5)
	b. 2 in (50 mm) Foil Tape - 18 ft (5.5 m)	(1)
Diffuser for Open Ceiling		
8	a. Diffuser Seal	(1)

#### Required Tools:

Saber or Reciprocating Saw	Utility Knife
Flat Bar	Caulking Gun
Tape Measure	Lumber Crayon
Screw Gun with Phillips Head	Metal Shears
Magnetic Compass	Required Safety Equipment
Hammer	

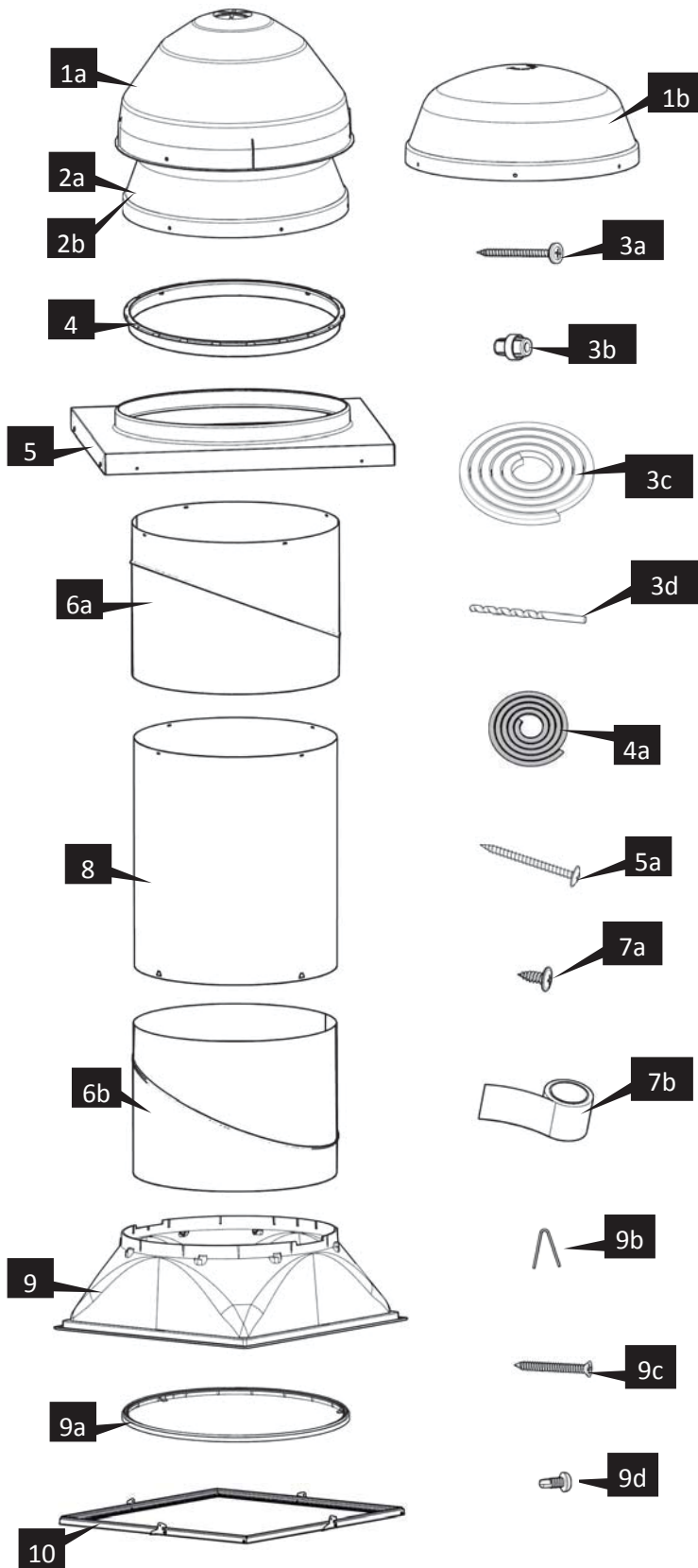
\*Components shown not included in all kits, see label on box.

\*†Required for High Velocity Hurricane Zone (HVHZ) areas.

For the most current Installation Instructions, please visit [www.solatube.com/instructions](http://www.solatube.com/instructions)

Solatube International, Inc. | 2210 Oak Ridge Way | Vista, CA 92081-8341 | [www.solatube.com](http://www.solatube.com) | T: 888.SOLATUBE

# Closed Ceiling



Parts List *		Quantity
Outer Dome Options		
1	a. 750 DS Dome with Raybender® 3000 Technology	(1)
	b. 330 DS Dome with LightTracker™ Reflector	(1)
Inner Dome Option		(1)
2	a. Inner Dome for 750 DS (Optional, Required for ENERGY STAR)	(1)
	b. Inner Dome For 750 DS (Optional, Polycarbonate*†)	(1)
Dome Fasteners		
3	a. Dome Screw #8 X 1 5/8 in (40 mm)	(4)
	b. Dome Spacer	(4)
	c. Dome Seal	(1)
	d. Drill Bit #40 (3/32 in/2.5 mm)	(1)
Tube Ring		
4	a. Tube Ring Seal *†	(1)
5	Roof Flashing (4 in (100 mm)*†, 8 in (200 mm)*†, 11 in (280 mm)*† or Curb Cap))	(1)
	a. Flashing Screws - #10 X 2 in (50 mm)	(21)
Spectralight® Infinity Tubes		
6	a. Top Tube with Angle Adapter	(1)
	b. Bottom Tube with Angle Adapter	(1)
Tube Fastener Kit		
7	a. Tube Screws - #8 X 9/16 in (14 mm)	(10)
	b. 2 in (50 mm) Foil Tape - 18 ft (5.5 m)	(2)
8	Spectralight® Infinity 24 in (610 mm) Extension Tube (optional) with Tube Fastener Kit	(1)
Transition Box		
9	a. Natural Effect Lens (Optional)	(1)
	b. Transition Box Hold Down Clip	(4)
	c. Drill Tip Screw - #6 X 1 5/8 in (40 mm) (For Hard Ceiling Application Only)	(4)
	d. Drill Tip Screw - #8 X 5/8 in (16 mm)	(2)
10	Diffuser	(1)

\*Components shown not included in all kits, see label on box.

\*†Required for High Velocity Hurricane Zone (HVHZ) areas.

# WARNING

 **Do not proceed with the installation until you have read the entire instructions, including these warnings. (Use of materials or methods not authorized by Solatube International will result in an invalid warranty.)**

Solatube International, Inc. (seller) assumes no responsibility or obligation whatsoever for the failure of an architect, contractor, installer, or building owner to comply with all applicable laws, ordinances, building codes, electrical codes, energy codes, fire and safety codes and requirements, roof warranties and adequate safety precautions. Installation of this product should be attempted only by individuals skilled in the use of the tools and equipment necessary for installation. Protect yourself and all persons and property during installation. If you have any doubt concerning your competence or expertise, consult a qualified expert before proceeding.

## Install at your own risk!

Solatube product installations may be dangerous and include the potential for death, personal injury and property damage. The hazardous conditions include but are not limited to the following:

- **During installation, the Solatube Daylighting System's reflective tubes may focus sunlight, causing intense heat or fire. Remove protective film only after the parts have been installed. Prior to and during installation, do not leave tubes in contact with combustible materials or unattended, especially near direct sunlight. Avoid skin burns.**
- Solatube Daylighting System and Solar Star products may have sharp edges. Always wear leather or canvas gloves while handling and installing products.
- Solatube product installations require climbing and working at dangerous heights, including on ladders, scaffolding, roofs and in attic spaces. Risk of death, personal injury and property damage may result from a fall, or from falling objects. Use extreme caution to minimize risk of accidental injury, including, but not limited to the following procedures:
  - Clear area below your work space of all people, animals and other items.
  - Avoid working on surfaces that are slippery or wet.
  - Use foot-wear with excellent traction.
  - Use only strong, well supported ladders.
  - Work only in calm dry weather.
  - When in the attic, ensure that your weight is supported at all times with structurally sound framing; drywall material is not designed to carry a person's weight.
- To reduce the risk of fire, electric shock, and personal injury, basic safety precautions should always be followed when using electric tools, including always wearing safety goggles or other suitable eye protection, and ensuring work area is clear of all electrical wires, gas pipes, water pipes, and other obstacles.
- When working in the attic or other dusty areas, use of a mask or respirator is recommended to avoid lung irritation. Attic spaces may be dark, confined, and subject to extreme temperatures. Beware of sharp protruding objects. Do not attempt installation without having someone within range of your voice or close enough to come to your aid if necessary.
- Solatube products are not designed to withstand the weight of a person, tools or other objects. Walking or placing objects on the system could cause personal injury and property damage. If the product is damaged, the structural capacity may be weakened; therefore the system should be repaired immediately. For safe installation and use, do not deviate from these installation instructions.

## Electrical Components

- Before installing, servicing, or cleaning unit, switch power off at service panel and lock service panel to prevent power from becoming switched on accidentally. When the service disconnecting means cannot be locked, securely fasten a prominent warning device such as a tag to the service panel.

## Re-Roofing

- Solatube products require special care if removed for re-roofing. In order to ensure proper removal and re-installation, please contact your Solatube International representative.

Please refer to the installation tips for the appropriate product below:

## Daylighting Systems Installation Tips

These instructions are a step-by-step guide for the installation of a Solatube Daylighting System in the following conditions. For other roof types, please contact your Solatube International representative for additional information.

**Built Up Flat Roof - Single Ply/Membrane - Asphalt Shingle - Low/No Pitched - Pitched - Prefabricated Curbs - Metal Roof Panels**

For the most current Installation Instructions, please visit [www.solatube.com/instructions](http://www.solatube.com/instructions)

Solatube International, Inc. | 2210 Oak Ridge Way | Vista, CA 92081-8341 | [www.solatube.com](http://www.solatube.com) | T: 888.SOLATUBE



## Daylighting Systems Installation Tips (Continued)

- Allow at least 2-3 hours for the installation, particularly if this is your first installation.
- During the day, turn off all the lights in the room to see how much natural light comes in through the windows, and determine the best position for the Solatube Daylighting System. To light a specific area, place the system over the area, not in the center of the room. This will prevent the desired area from being shaded by tall objects in the room.
- Measure the distance between the roof and the ceiling. If you don't have enough tubing, contact your Solatube International representative for additional tubing.
- Avoid roof locations shaded by trees, ridges and chimneys, or near water channels or valleys. Also avoid roof areas with obstructions such as fire sprinklers, HVAC equipment, gas, water or drain pipes, air ducts or flues and make sure that the roof is adequate to endure an installation without damaging its waterproofing properties or weakening the building structure.
- All adhesives, seals and tapes are recommended to be applied to a clean and dry surface at a minimum of 70°F (21°C) for maximum performance.
- Foil tape contains a pressure sensitive adhesive and pressure must be applied at all seams for proper bonding. Foil tape is not intended for use as structural support of the extension tubes. For structural integrity use manufacturer supplied fasteners on all overlapping extension tube joints.



## Daylight Dimmer Installation Tips

- Install Solatube Daylight Dimmer only on a properly aligned Solatube Daylighting System.
- Use only UL recognized components approved for this listing.



## Light Add-On Kit Installation Tips

- To be installed by qualified electricians only. Disconnect power before installation.
- For supply connections, use wire rated at least 60° C.
- Access above ceiling to junction box is required.
- Blinking light may indicate improper lamp wattage or type, or insulation is too close to fixture, or other condition causing overheating.
- Intended for installation with 1/2 in (13 mm) minimum spacing from the fixture to cavity surfaces (side wall and overhead building member) and 1 in (25 mm) minimum spacing to adjacent fixtures.
- Thermally Protected Type IC (insulation may contact housing).
- Suitable for wet and damp locations such as laundry, bathroom and shower stall. Must use GFCI circuit if located within a bath/shower stall.
- Use only as a component of Solatube Daylighting System products.

### Caution

- Risk of fire and electrical shock. Most dwellings built before 1985 have supply wire rated 60° C. This product is to be installed by qualified electricians only.
- To reduce the risk of fire, use only:
  - Fluorescent Lamps, Medium Base - 23 Watt Maximum, Total Maximum Length 4 3/4 in (120 mm)
  - Compact Fluorescent (4 Pin Quad Tube) 26 Watt only



## Ventilation Add-On Kit Installation Tips

See Ventilation Add-On Kit installation instructions for tips.



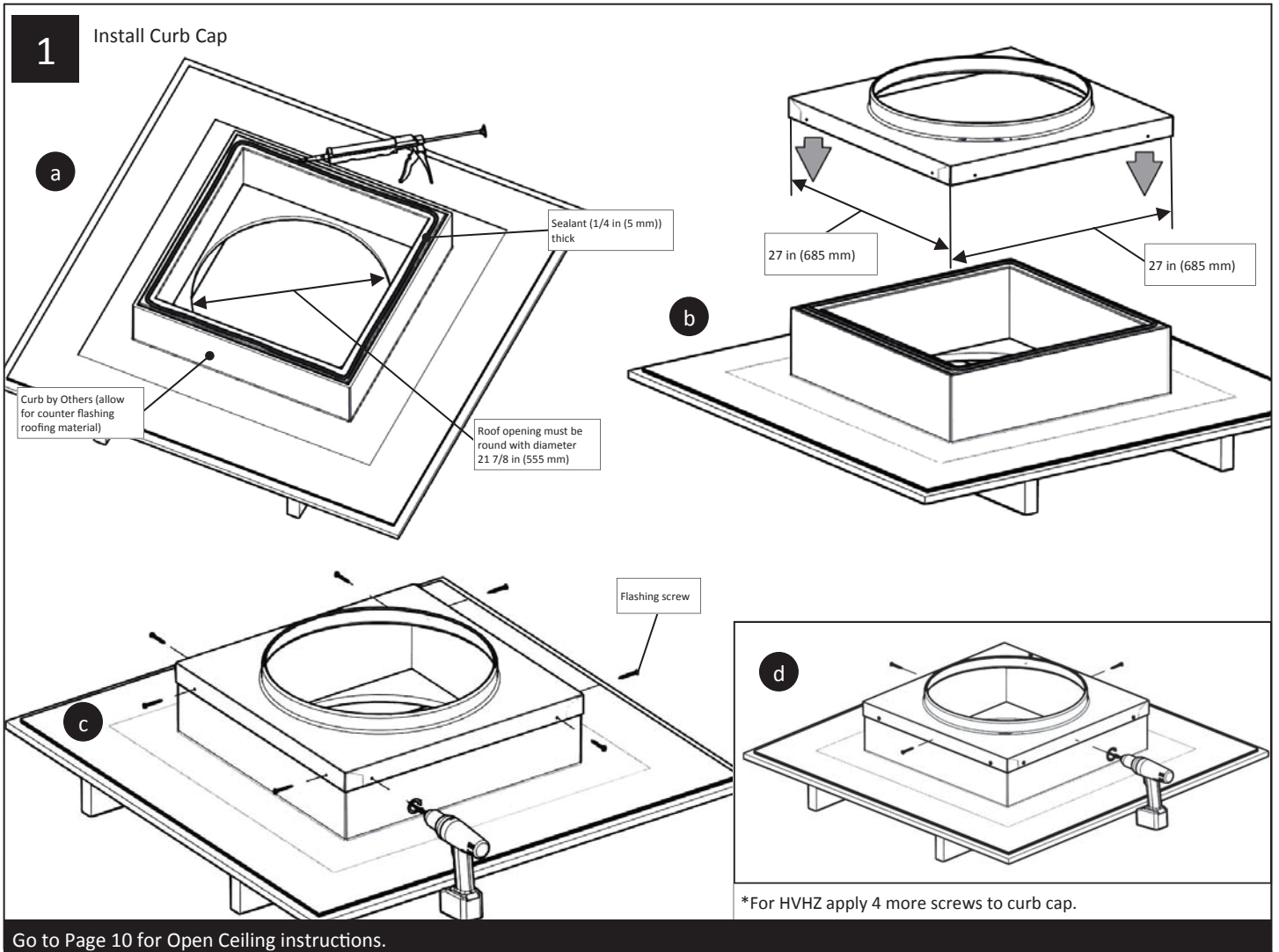
## Solar Star Attic Ventilation Installation Tips

- Keep Solar Star solar panels covered until product is mounted and sealed to roof. Cover solar panel whenever motor, fan, or unit is to be serviced. Fan blade is controlled by the solar panel and may become operational when panel is exposed to sunlight.
- Solar Star products are designed for general ventilation purposes only. Do not exhaust any hazardous materials or gases such as flammable, explosive or incendiary materials.
- Solar Star products have an unguarded fan blade. Do not use Solar Star products in areas that are easily accessible.

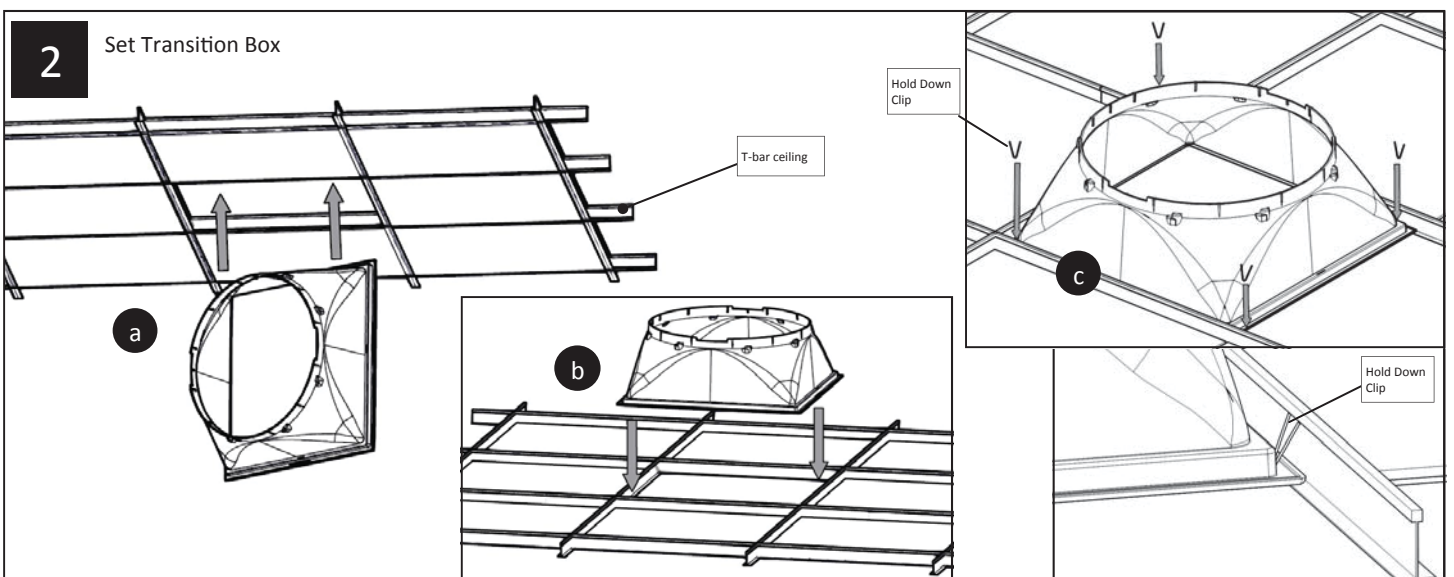
### Caution

- Carbon monoxide may be drawn into a house or attic space with the operation of Solar Star products if fuel-burning equipment is not serviced or monitored regularly. Carbon monoxide (CO) is a colorless, odorless gas that can be hazardous to your health and may cause death. Fuel-burning equipment must have proper ventilation, Solar Star products are not designed to provide ventilation for fuel-burning products.

# Curb Cap Installation Instructions



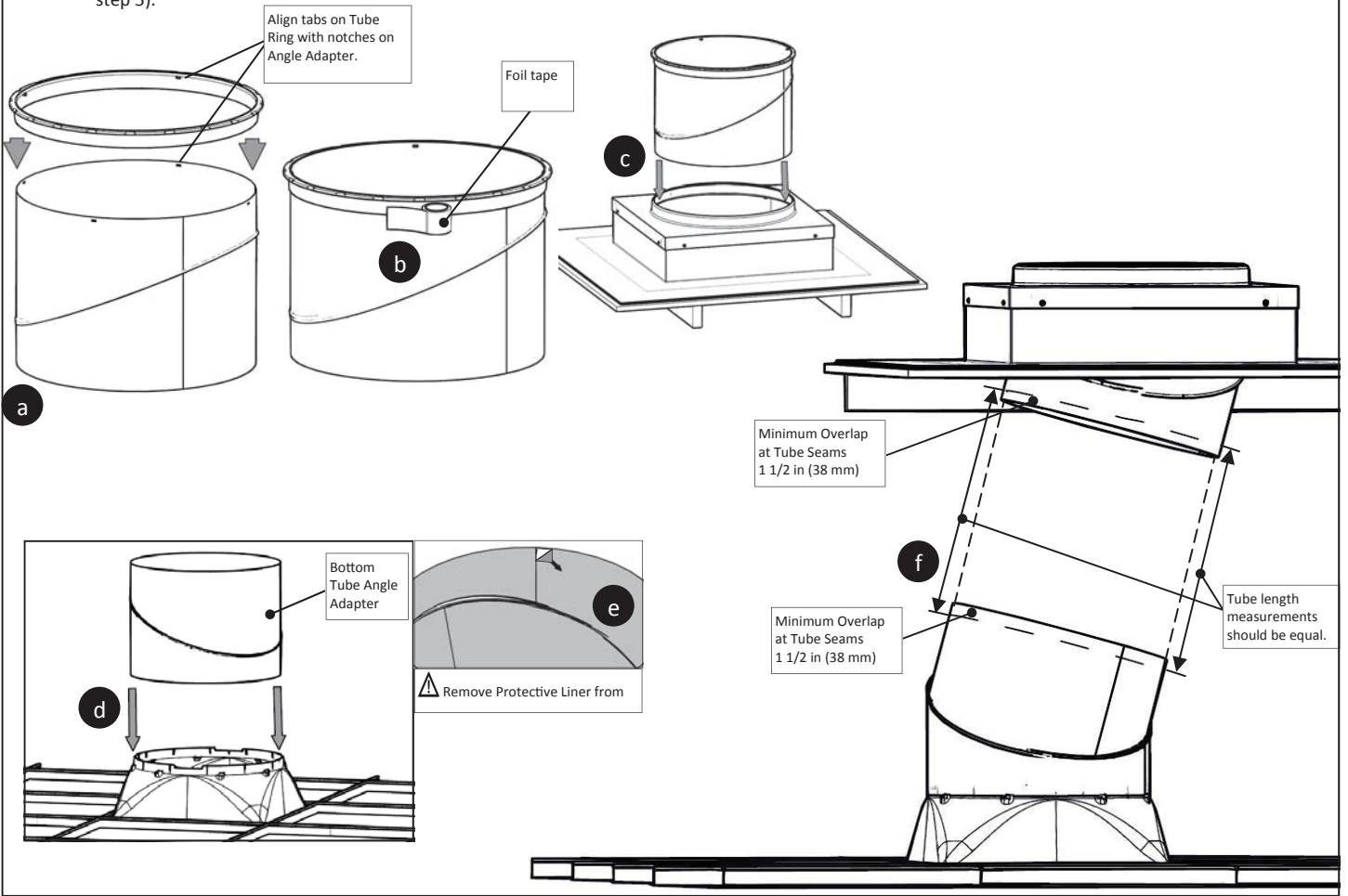
# Closed Ceiling Installation Instructions



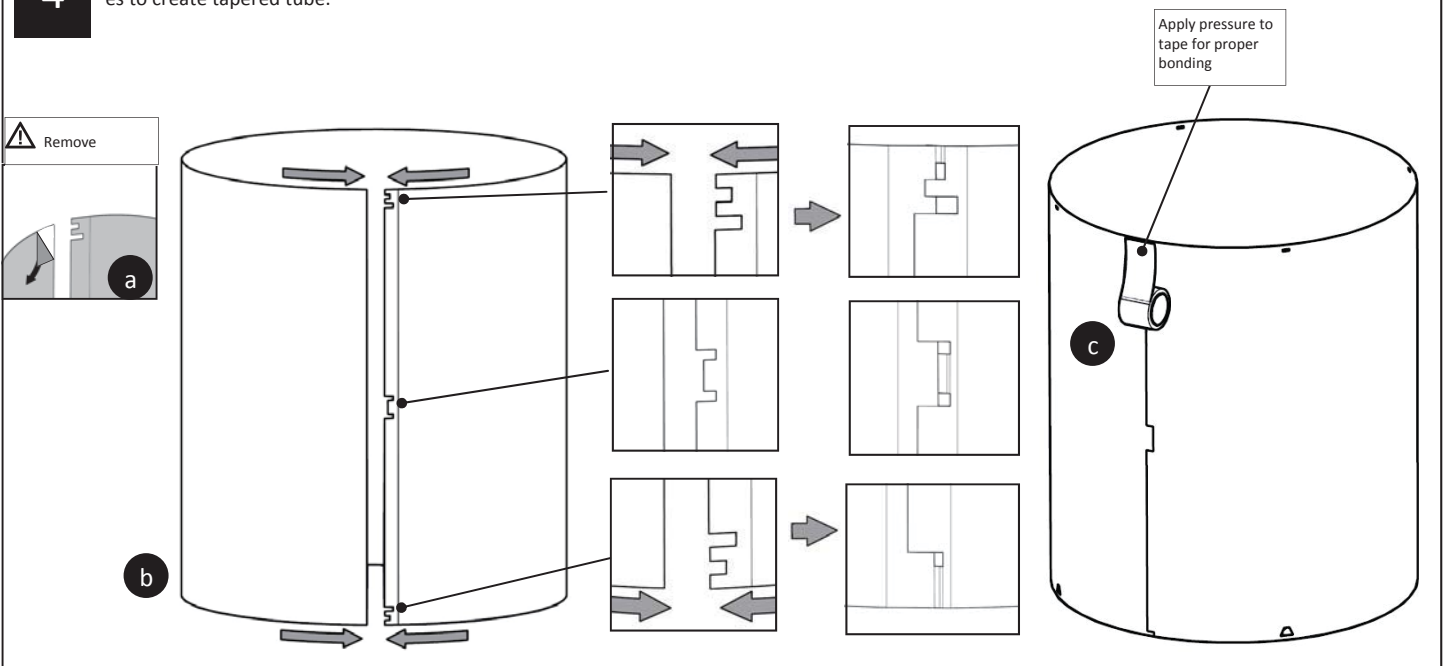
For the most current Installation Instructions, please visit [www.solatube.com/instructions](http://www.solatube.com/instructions)

Solatube International, Inc. | 2210 Oak Ridge Way | Vista, CA 92081-8341 | [www.solatube.com](http://www.solatube.com) | T: 888.SOLATUBE

**3** Install Top and Bottom Tube Angle Adapters; Measure Tube Run  
 Tube ring can be installed on Top Tube with Angle Adapter or an Extension tube (see step 5).

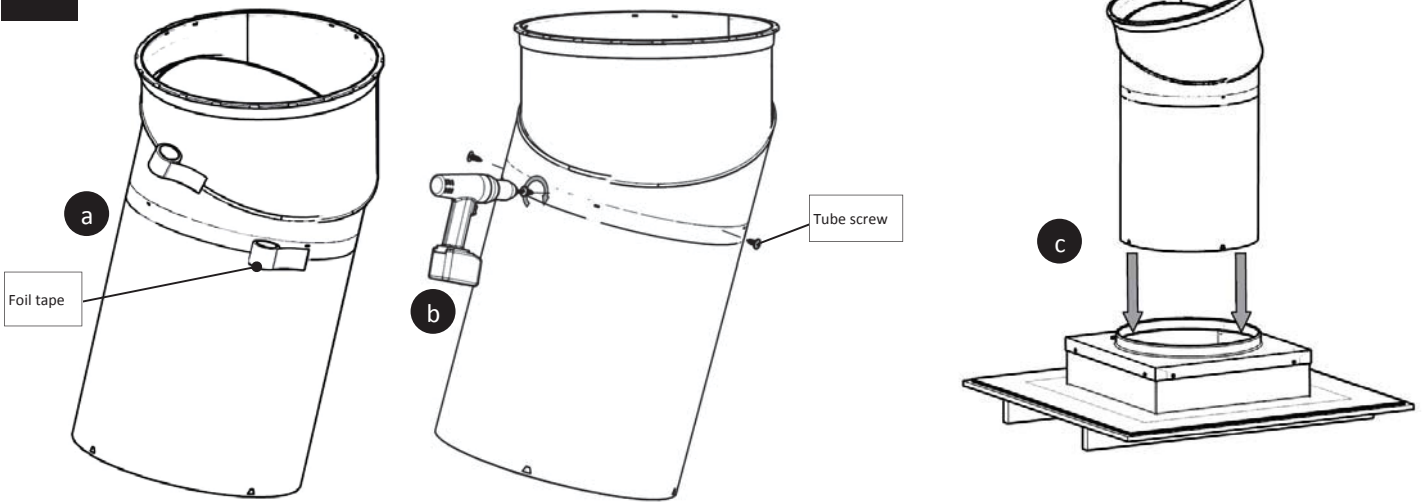


**4** Assemble Extension Tube Use notches to create tapered tube.



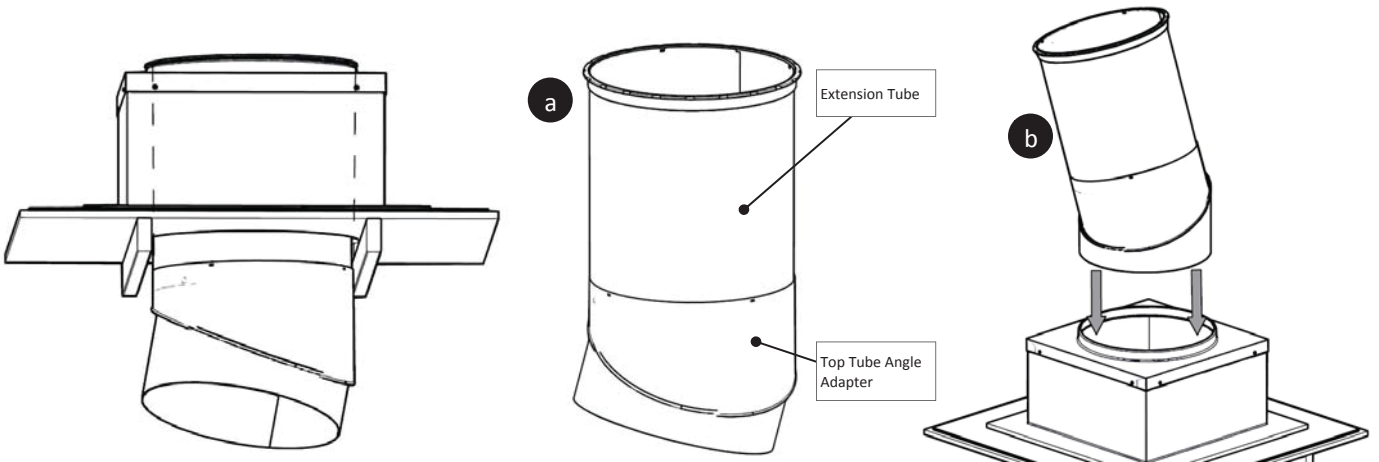
# 5

## Assemble and Install Tube Run



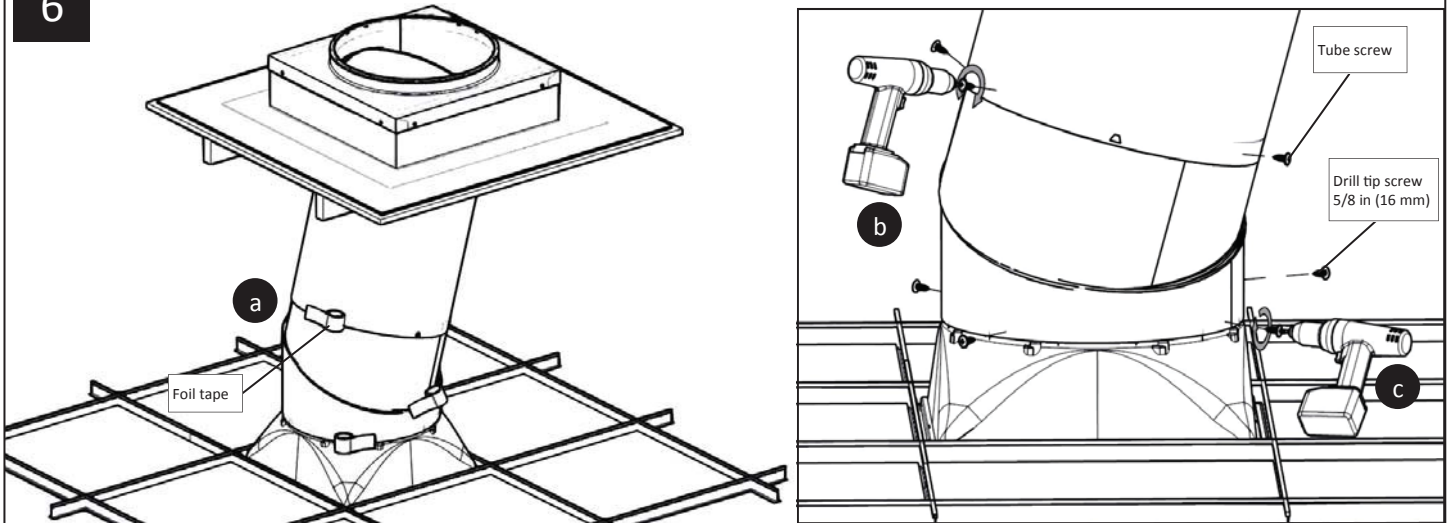
### Alternative Tube Run

For curb heights or obstructing structural members that require an Extension Tube as the Top Tube, use configuration below:



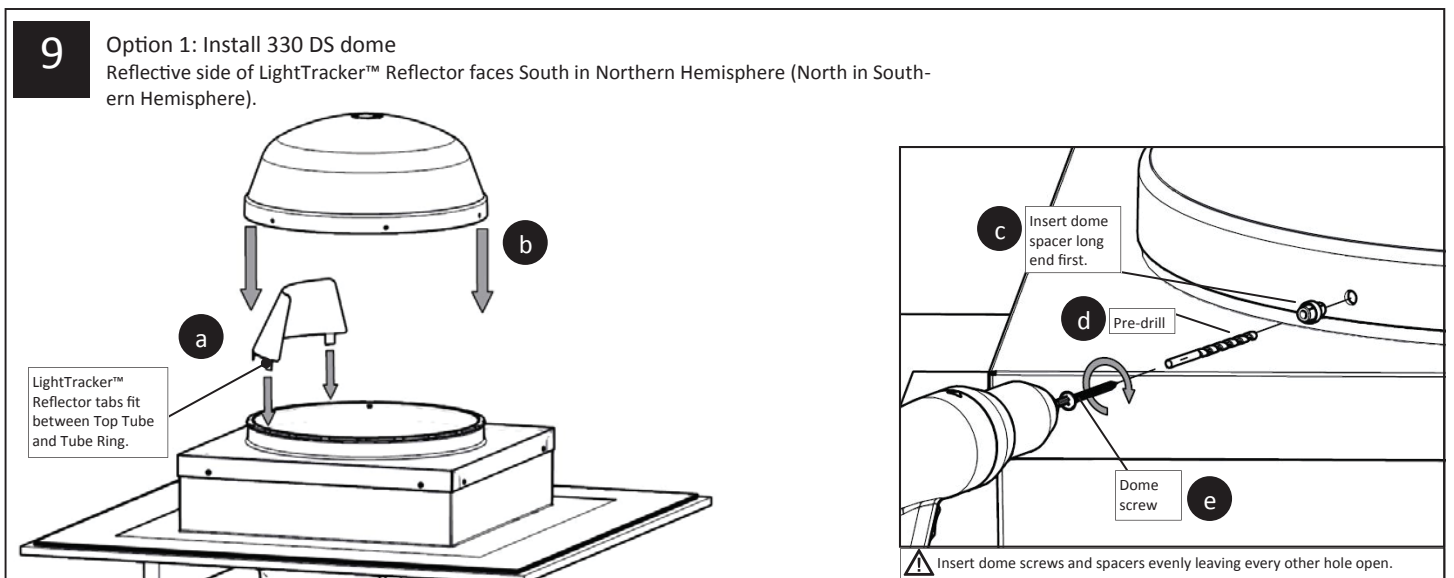
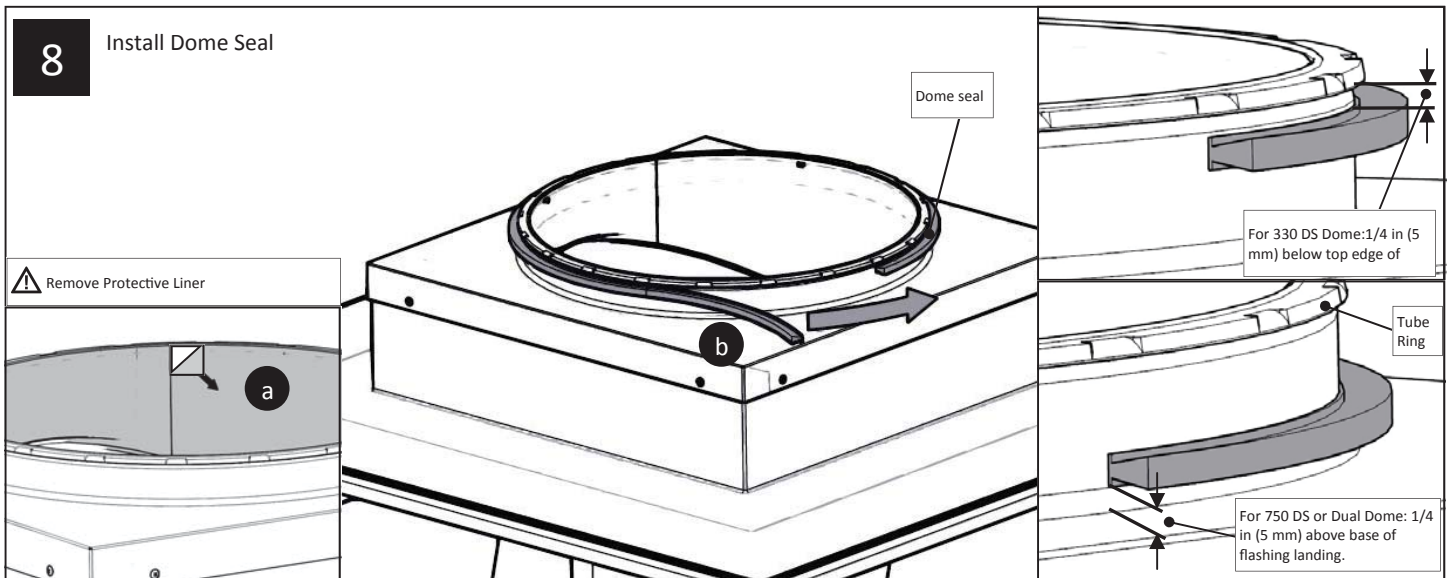
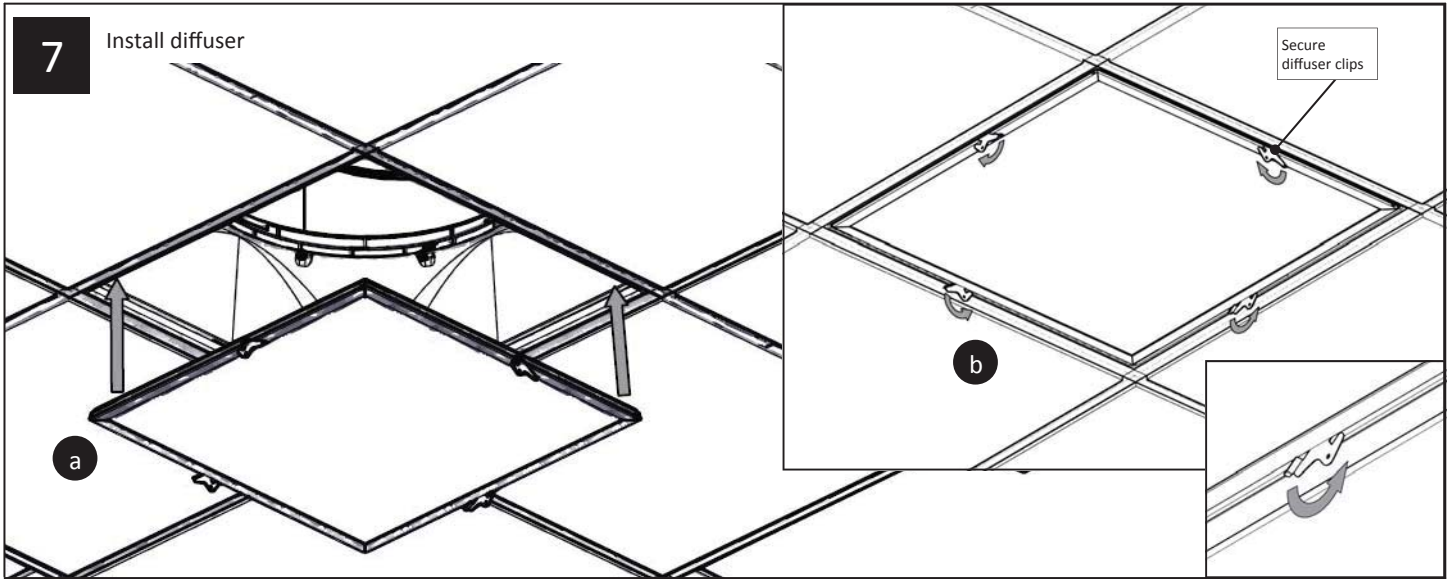
# 6

## Connect Tube Run and Fasten to Transition Box

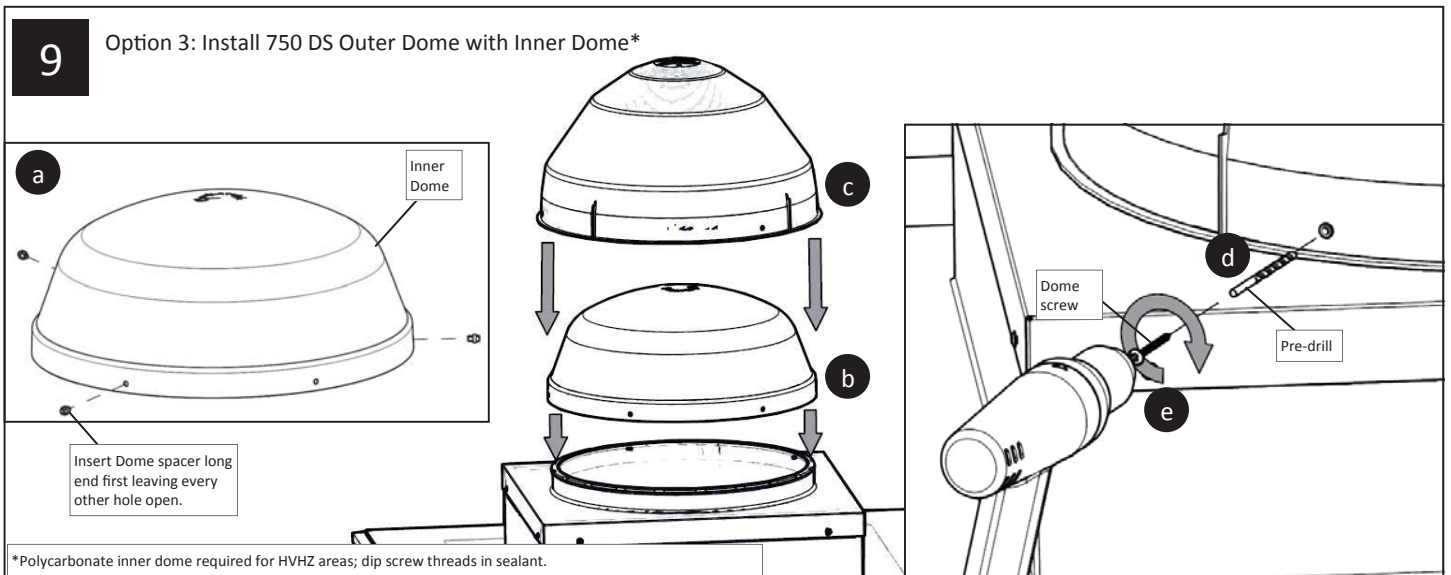
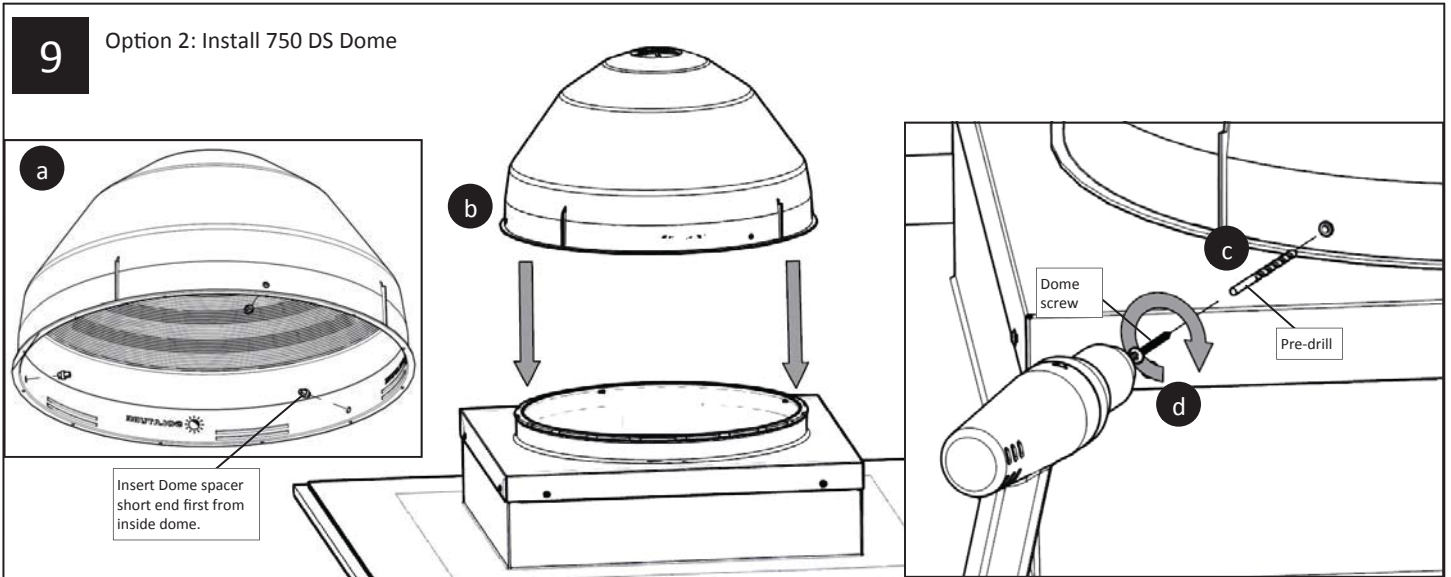


For the most current Installation Instructions, please visit [www.solatube.com/instructions](http://www.solatube.com/instructions)

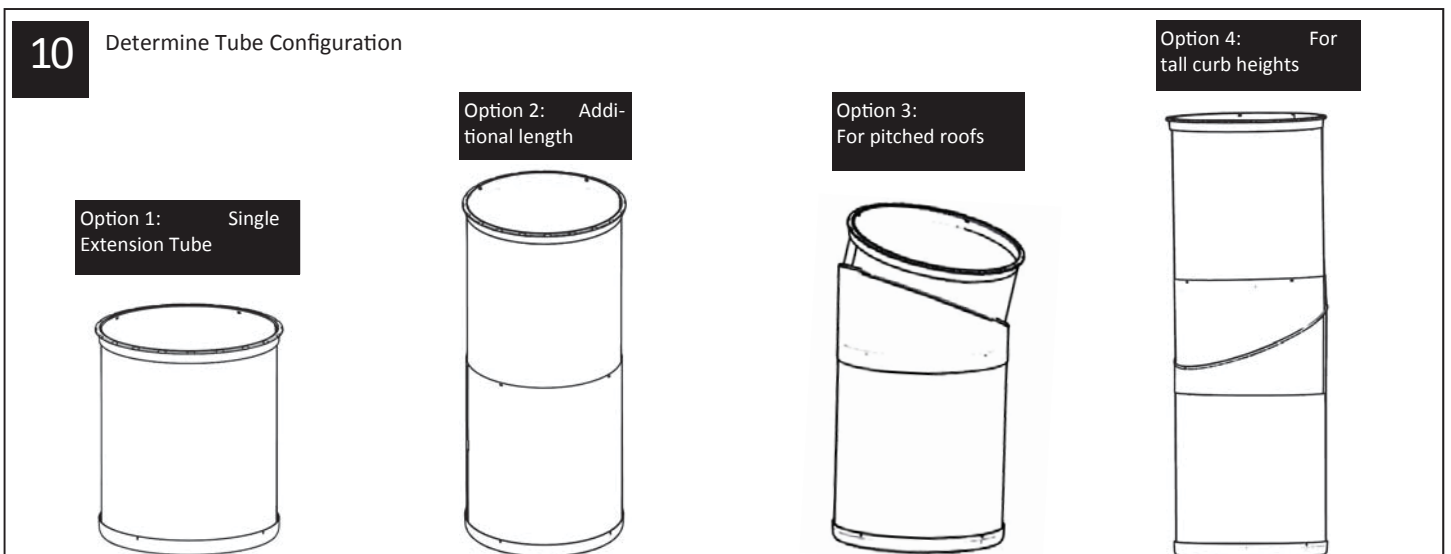
Solatube International, Inc. | 2210 Oak Ridge Way | Vista, CA 92081-8341 | [www.solatube.com](http://www.solatube.com) | T: 888.SOLATUBE







## Open Ceiling Installation Instructions



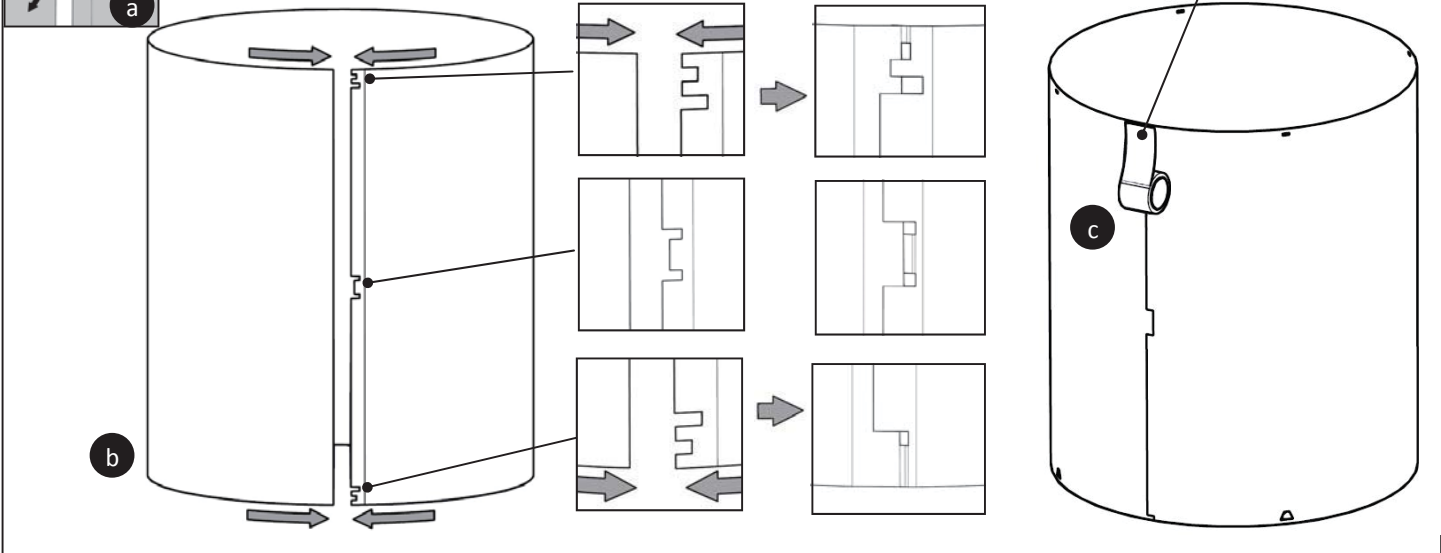
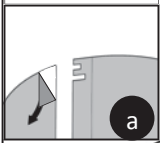
For the most current Installation Instructions, please visit [www.solatube.com/instructions](http://www.solatube.com/instructions)

Solatube International, Inc. | 2210 Oak Ridge Way | Vista, CA 92081-8341 | [www.solatube.com](http://www.solatube.com) | T: 888.SOLATUBE

# 11

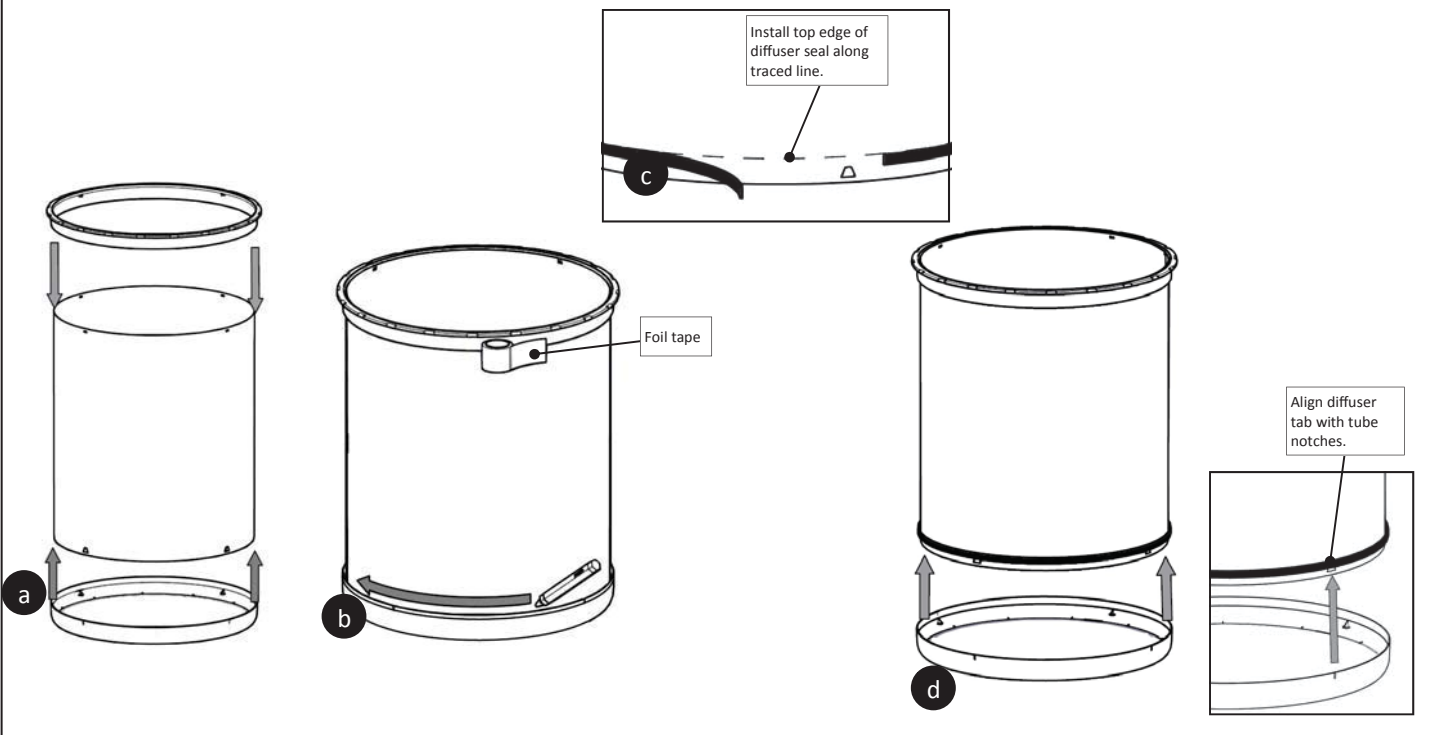
## Assemble Extension Tube

⚠ Remove Protec-



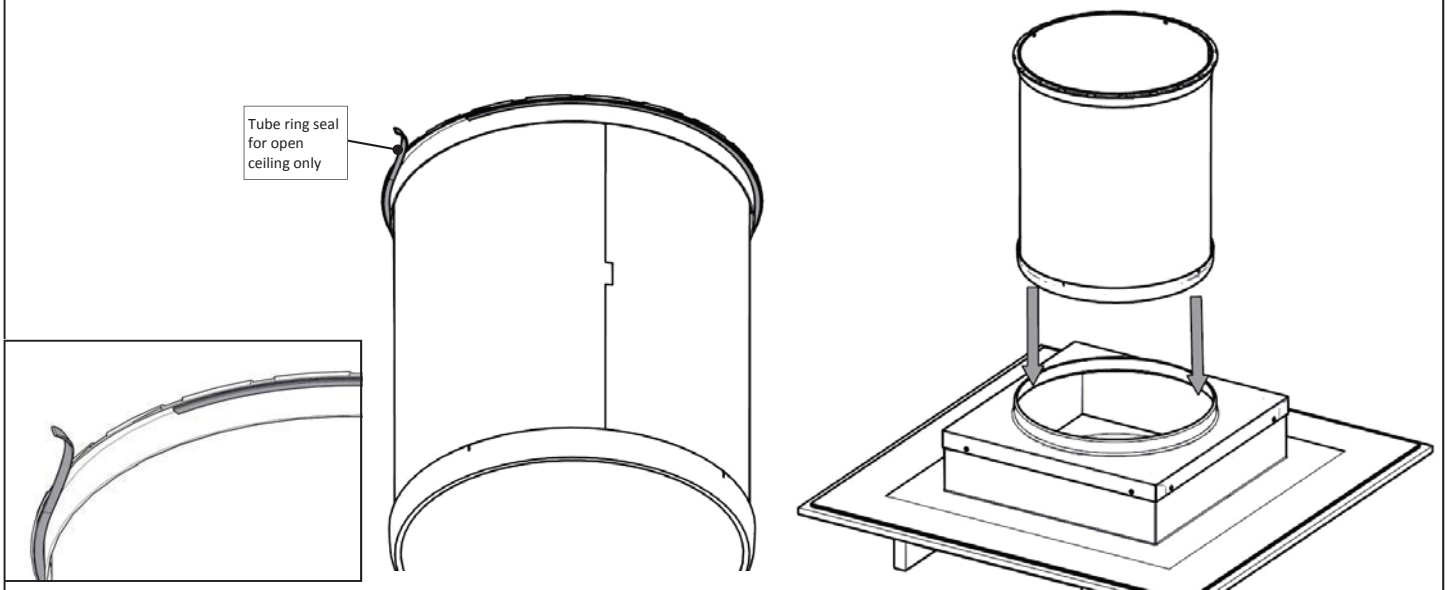
# 12

## Install Tube Ring and Diffuser



13

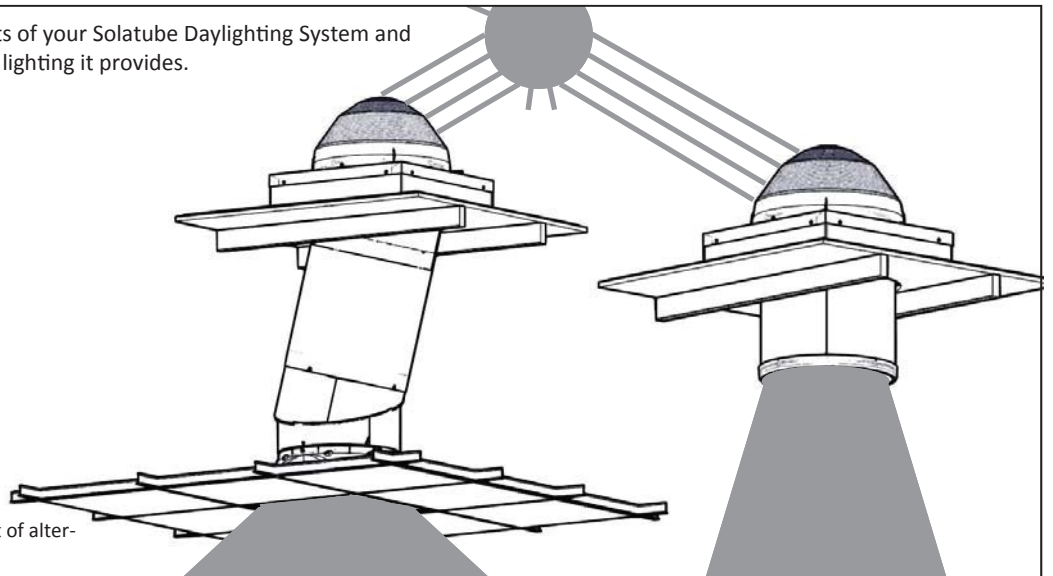
Apply Tube Ring Seal and Install Tube Run



Return to step 8 to complete Open Ceiling instructions.

14

Now you can enjoy the benefits of your Solatube Daylighting System and the high performance, natural lighting it provides.



Please refer to the following section for a list of alternative flashings and accessories.

Not all items shown in the following pages are available for all markets. Installation techniques shown may vary by region; please consult local building codes and Solatube International Representatives for guidelines.

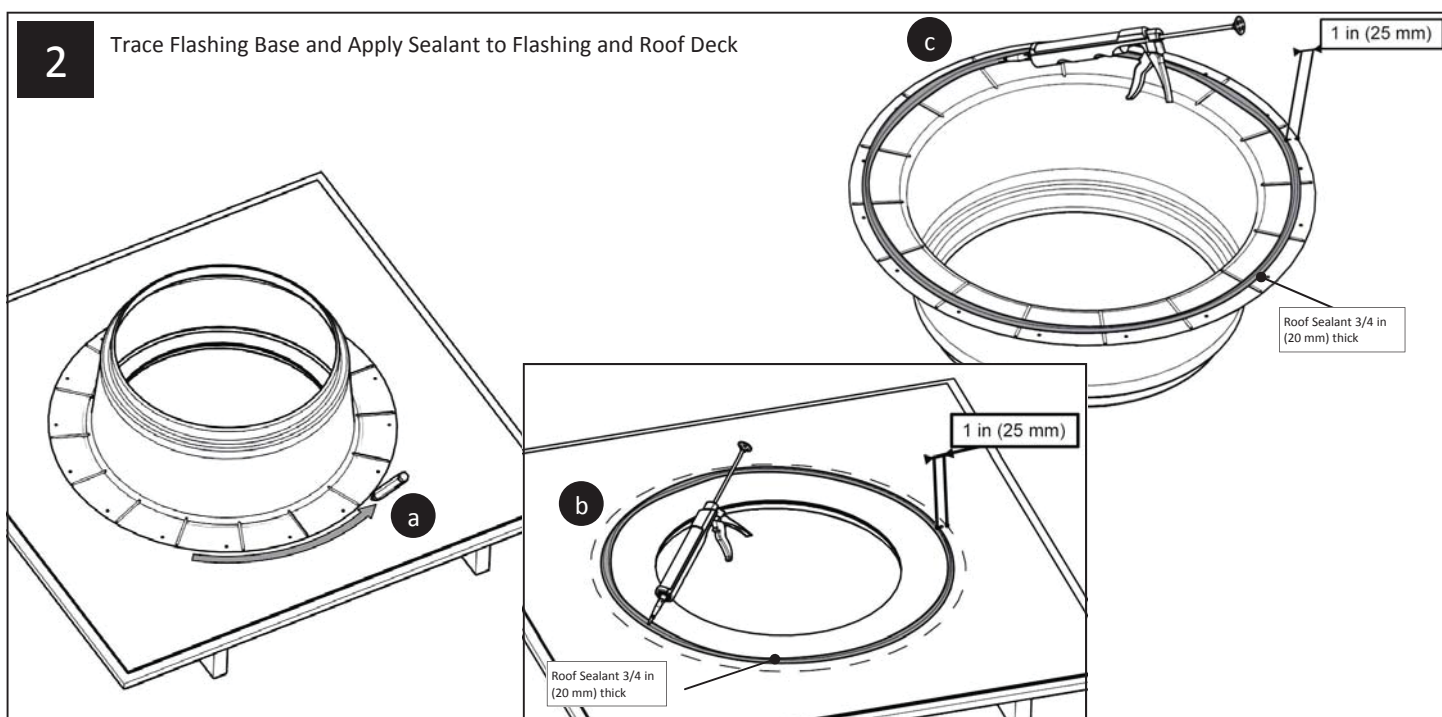
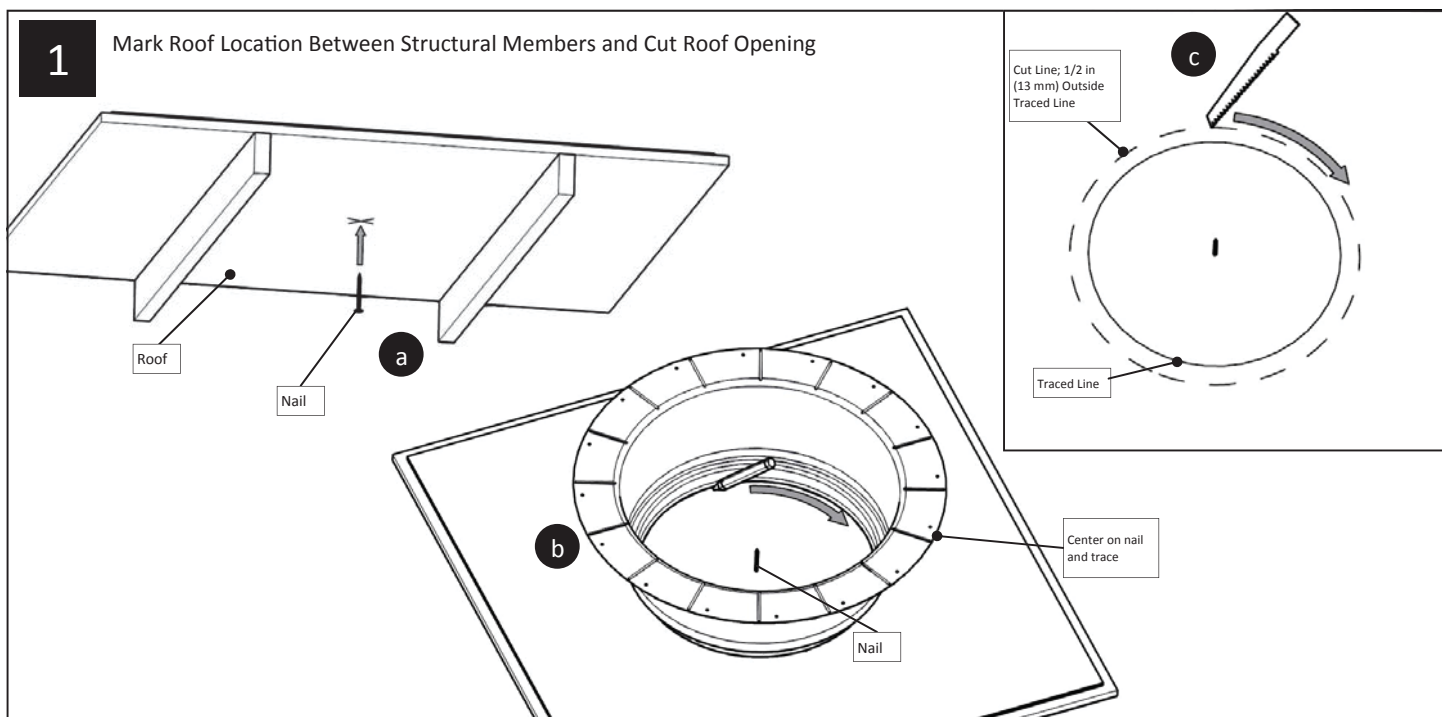
For the most current Installation Instructions, please visit [www.solatube.com/instructions](http://www.solatube.com/instructions)

Solatube International, Inc. | 2210 Oak Ridge Way | Vista, CA 92081-8341 | [www.solatube.com](http://www.solatube.com) | T: 888.SOLATUBE

# Self-Flashing Installation Instructions Appendix

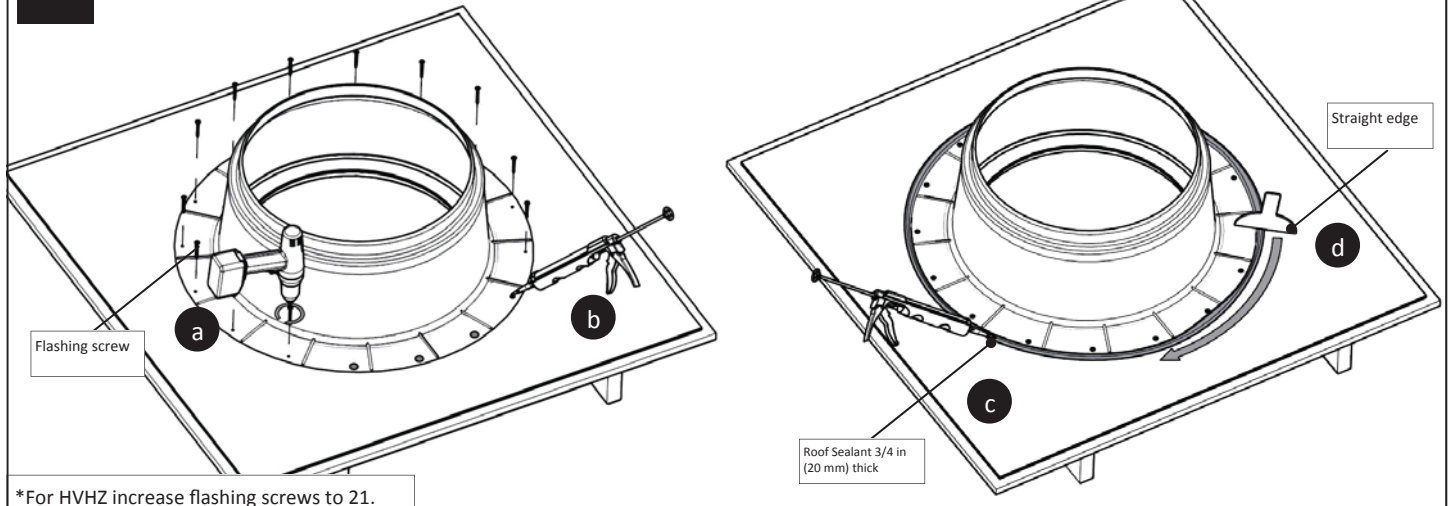
Parts List		Quantity
1	Self-Flashing (4 in (100 mm), 8 in (200 mm), 11 in (280 mm))	(1)
2	Flashing Screws - #10 X 2 in (50 mm)	(21)

Additional Materials and Tools		Quantity
1	Roof Sealant	(3)
2	Straight Edge	(1)



3

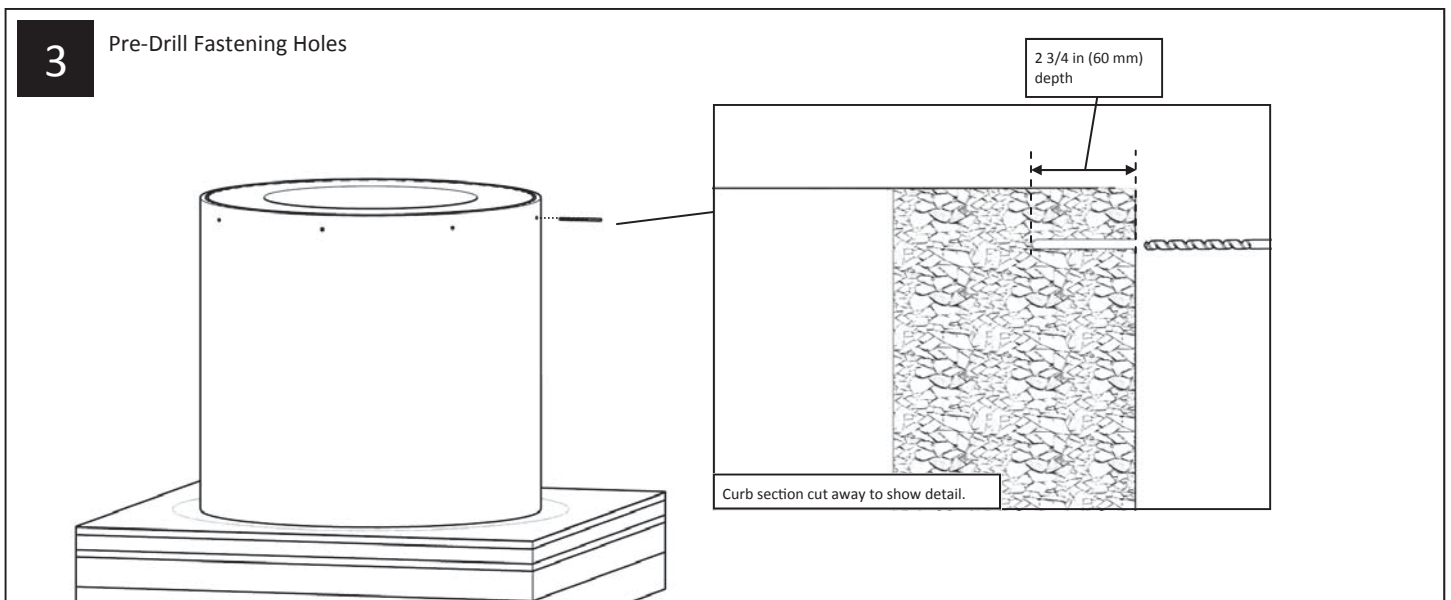
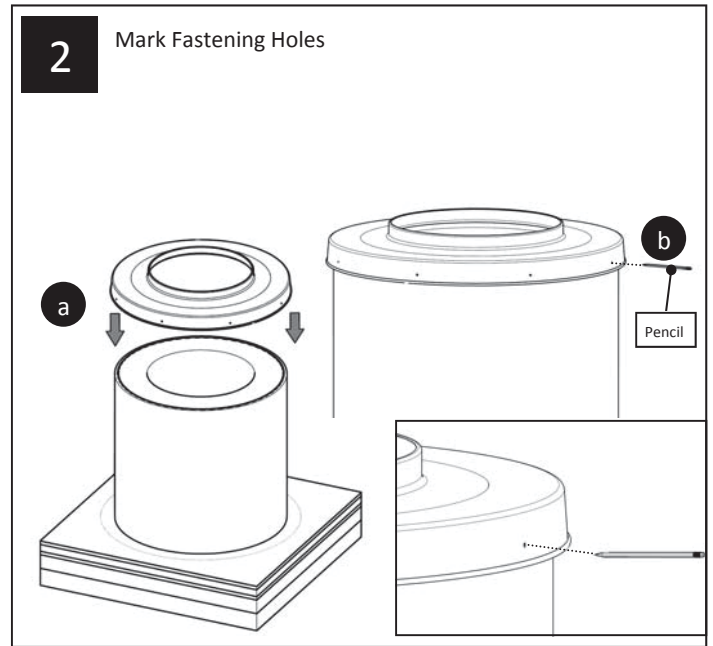
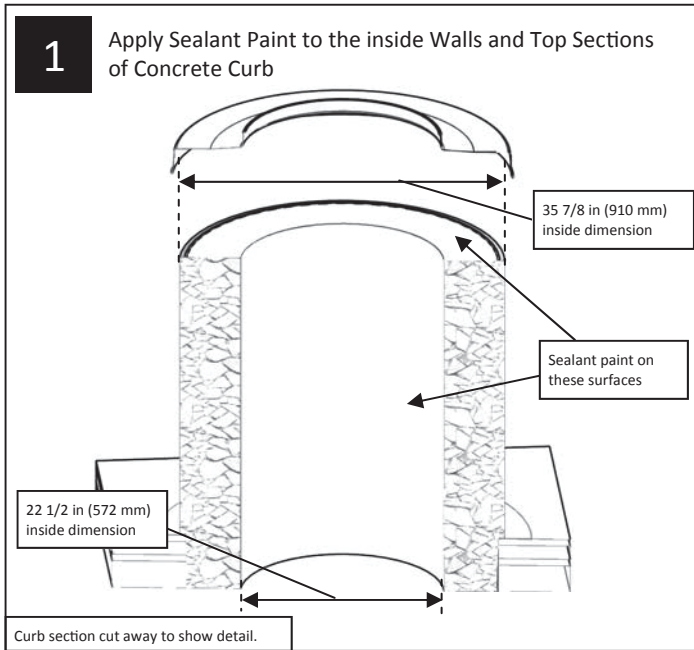
Fasten Flashing to Roof.\* Apply Sealant and Spread Evenly Using Straight Edge.



# Round Concrete Curb Cap Installation Instructions Appendix

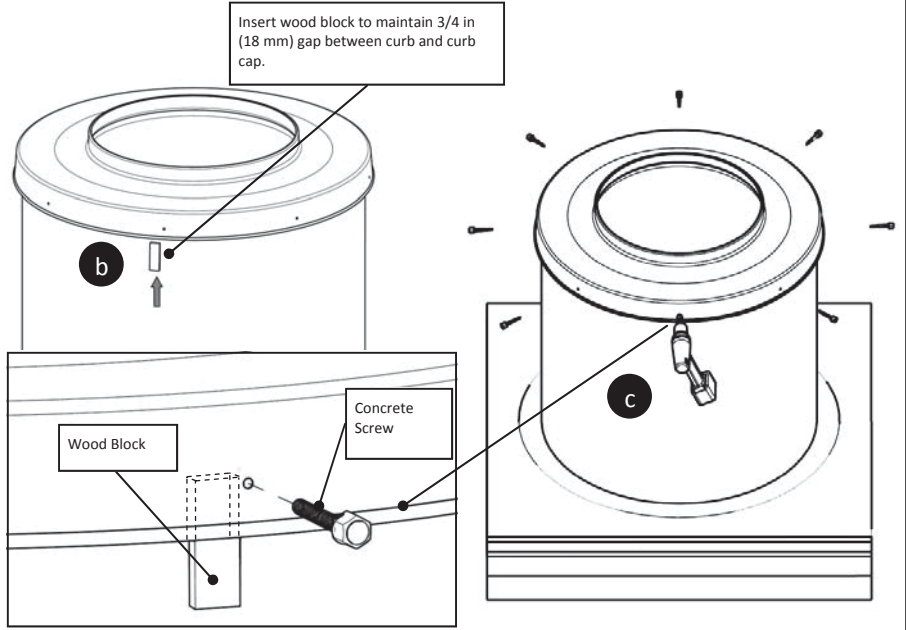
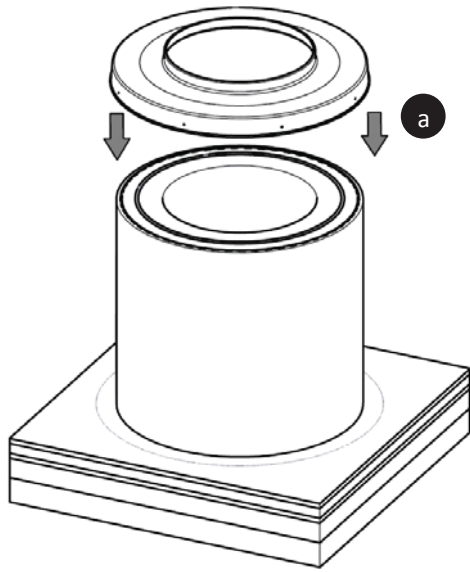
Parts List	Quantity
1 Round Curb Cap	(1)
2 Concrete Screw 3/16 in x 2 3/4 in (5 mm x 70 mm) Hex	(8)
3 Concrete Drill Bit 5/32 in x 3 1/2 in (4 mm x 89 mm)	(1)

Additional Materials and Tools	Quantity
2 Sealant Paint ( Not Provided)	



4

Fasten Curb Cap to Curb

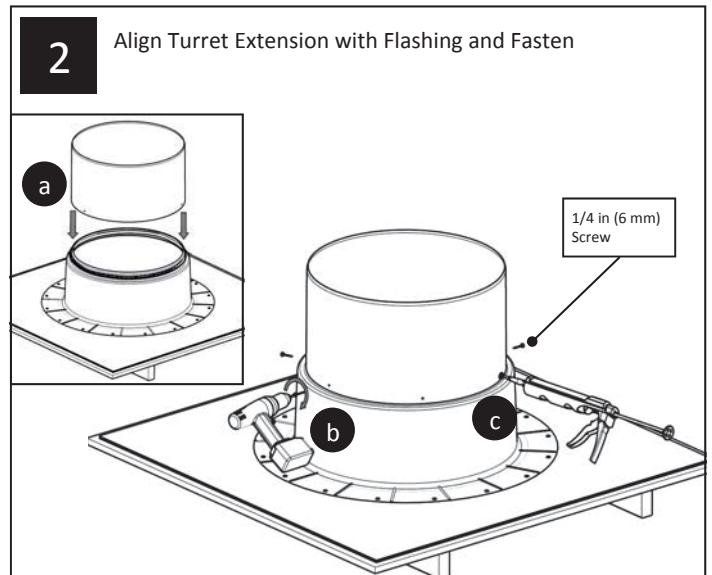
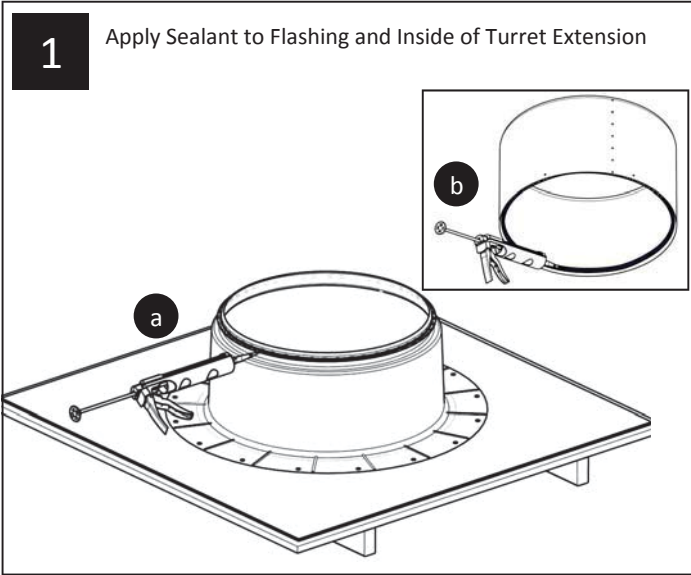


# Turret Extension Installation Instructions Appendix

Parts List	Quantity
1 Turret Extension 12 in (300 mm), 24 in (600 mm), 36 in (900 mm), or 48 in (1200 m)	(1)
2 1/4 in (6 mm) screws*	(4)

\* 3/4 in (20 mm) screws for 48 in (1200 mm) Turret Extension Only

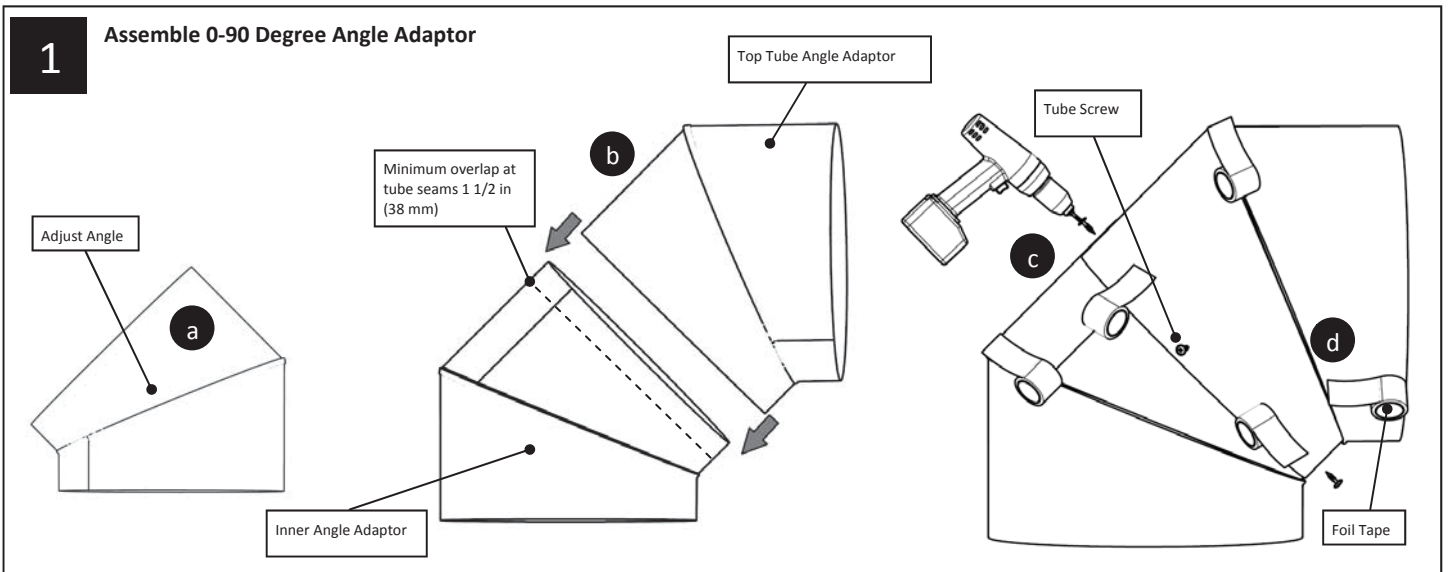
Additional Materials and Tools	Quantity
1 Roof Sealant	(1)



# 0-90 Degree Extension Tube Installation Instructions Appendix

Parts List	Quantity
1 Top Tube Angle Adaptor	(1)
2 Inner Angle Adaptor	(1)
3 Tube Screws - #8 X 9/16 in (14 mm)	(8)
4 Foil Tape - 2 in (51 mm) X 6 ft (2 m)	(2)

Additional Materials and Tools	Quantity
1 None	



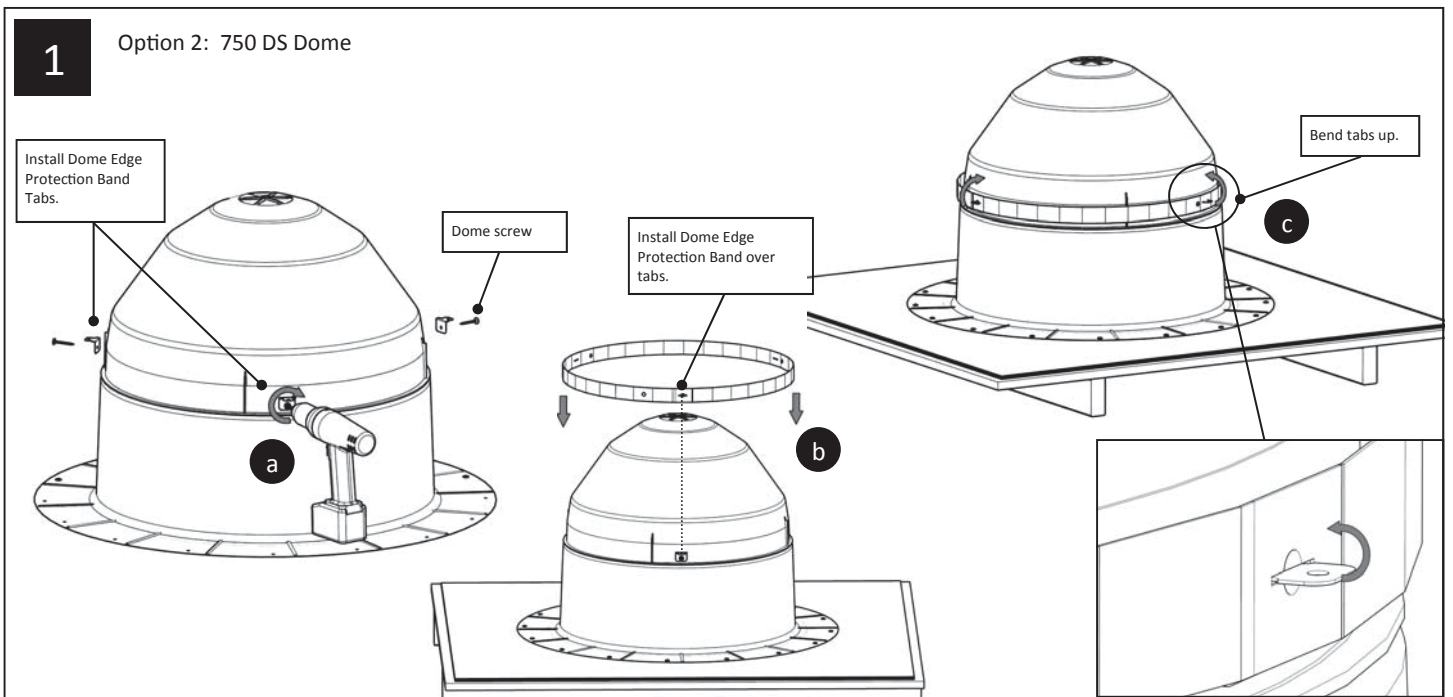
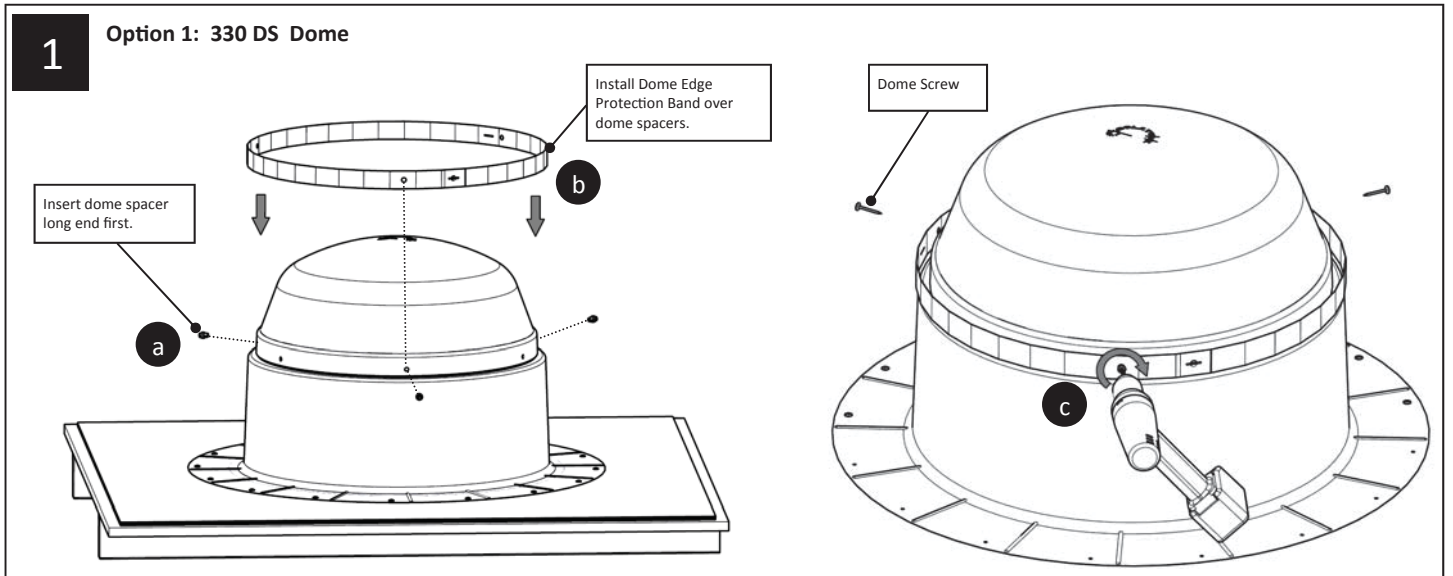
For the most current Installation Instructions, please visit [www.solatube.com/instructions](http://www.solatube.com/instructions)



# Dome Edge Protection Band Installation Instructions Appendix

Parts List		Quantity
1	Dome Edge Protection Band	(1)
2	Dome Edge Protection Band Tab	(3)

Additional Materials and Tools		Quantity
1	None	



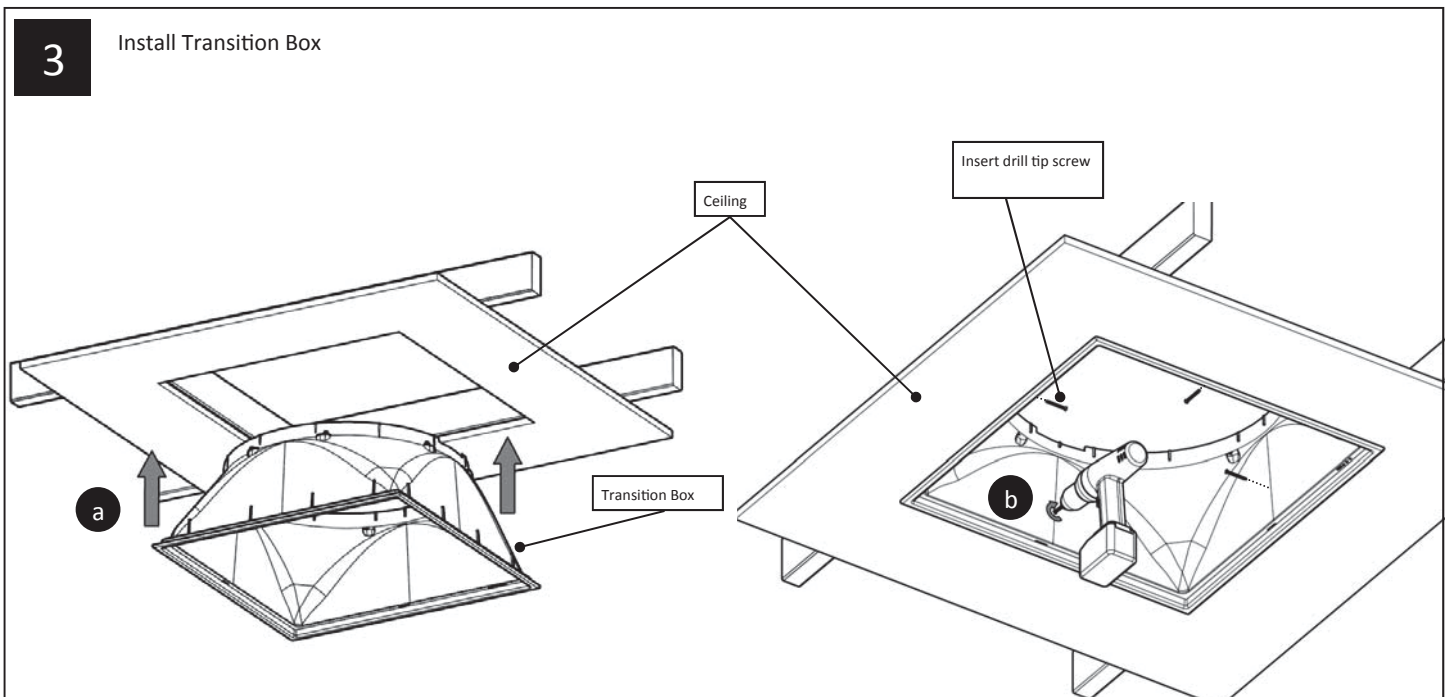
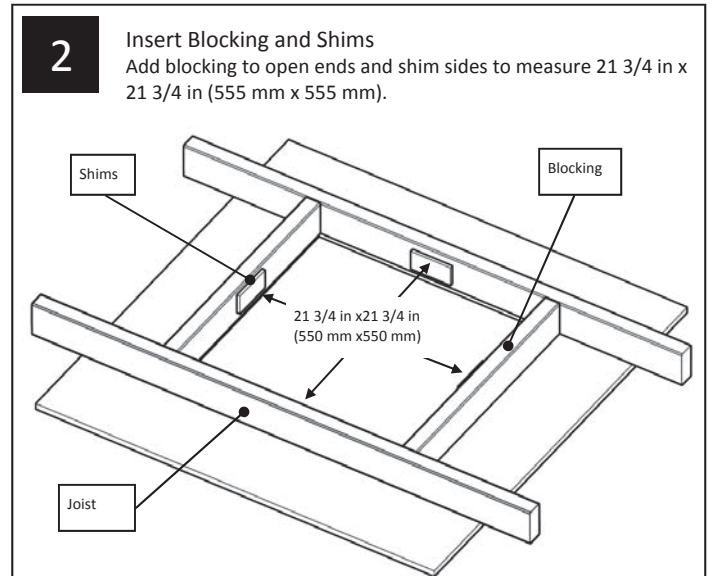
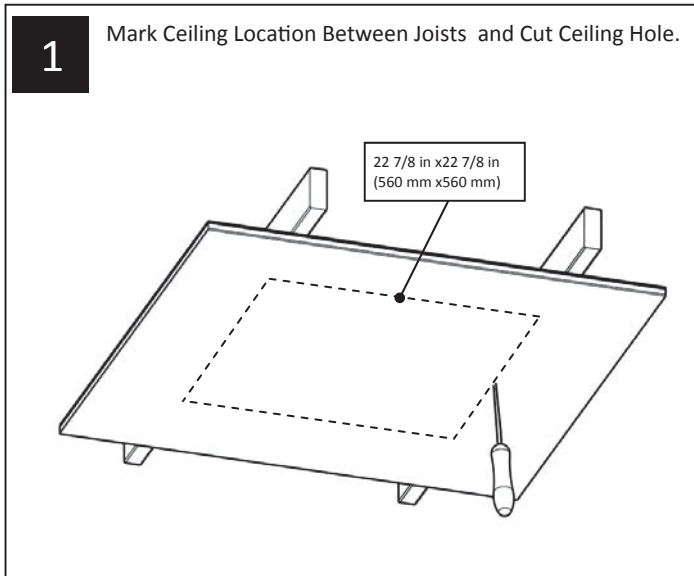
For the most current Installation Instructions, please visit [www.solatube.com/instructions](http://www.solatube.com/instructions)

Solatube International, Inc. | 2210 Oak Ridge Way | Vista, CA 92081-8341 | [www.solatube.com](http://www.solatube.com) | T: 888.SOLATUBE

# Hard Ceiling Installation Instructions Appendix

Parts List		Quantity
1	Transition Box	(1)
2	Drill Tip Screw 1 5/8 in (40 mm)	(4)

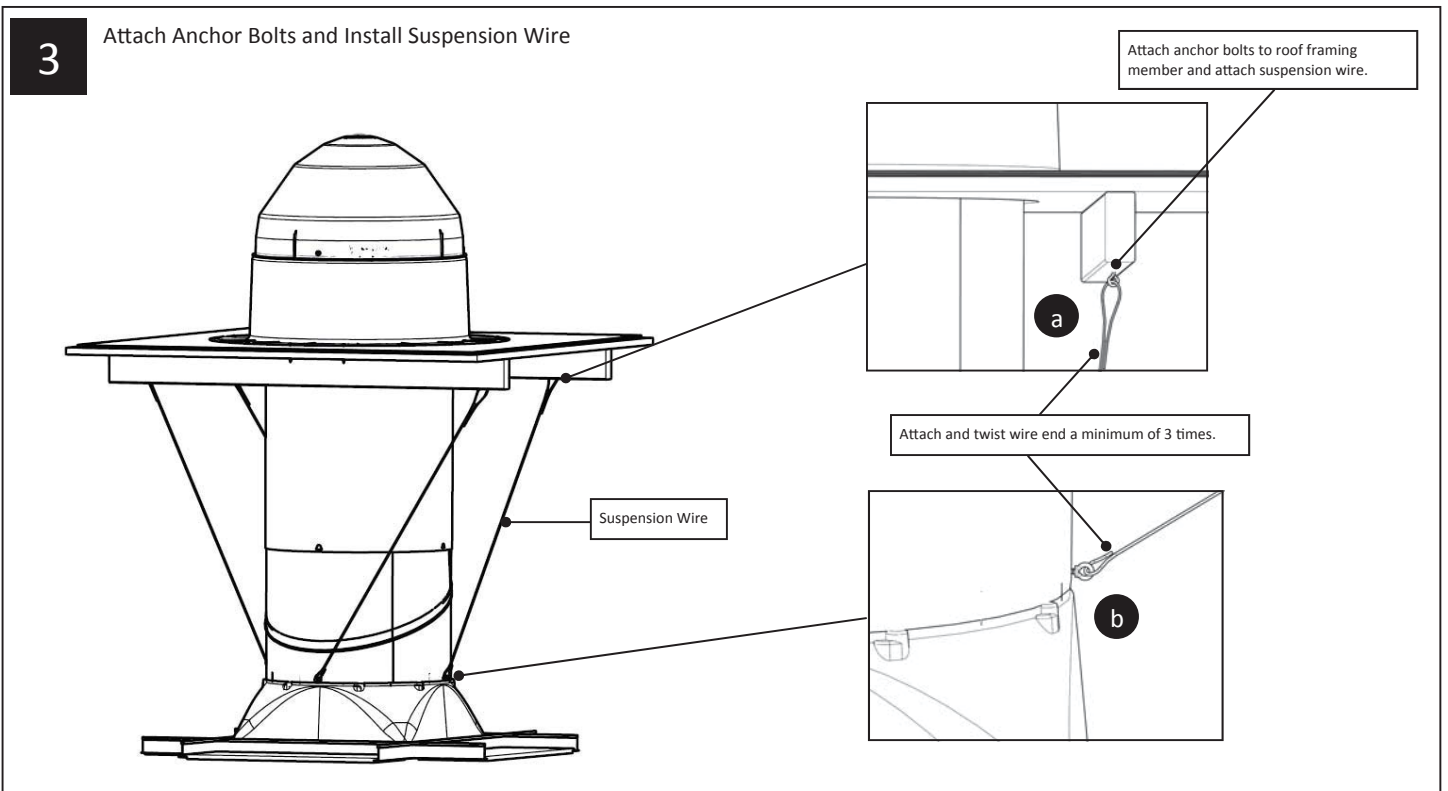
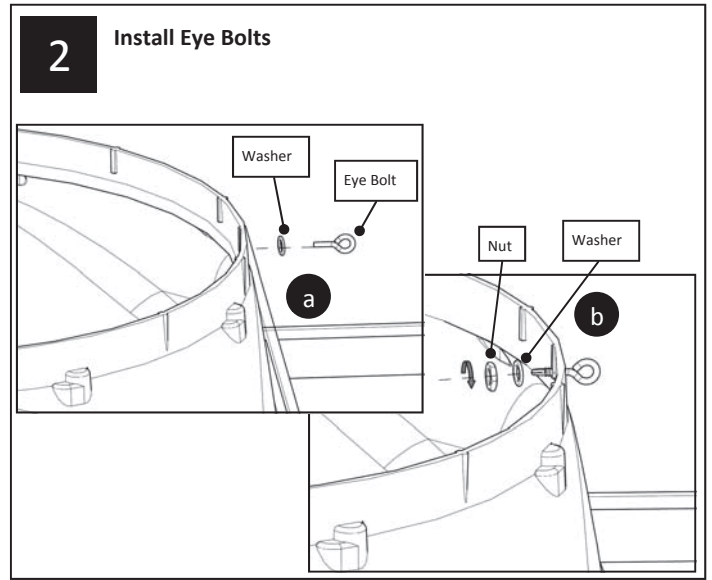
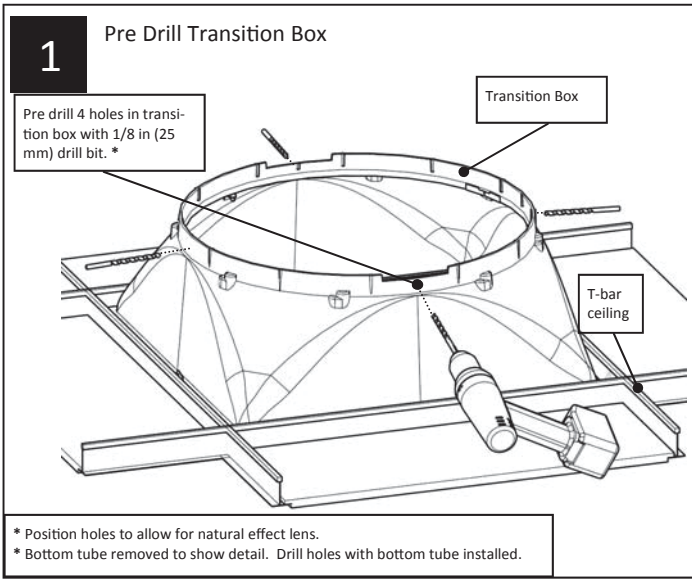
Additional Materials and Tools		Quantity
1	Wood Blocking	(2)
2	Shims	(4)



# Suspension Wire Kit Installation Instructions Appendix

Parts List		Quantity
1	16 Gauge Galvanized Wire 50 ft (15.25 m)	(1)
2	Anchor Bolts	(4)
3	Eye Bolt #8 1/8 in (25 mm) with Nut and Washer	(8)

Additional Materials and Tools		Quantity
1	Drill Bit 1/8 in (3 mm)	(1)



For the most current Installation Instructions, please visit [www.solatube.com/instructions](http://www.solatube.com/instructions)

Solatube International, Inc. | 2210 Oak Ridge Way | Vista, CA 92081-8341 | [www.solatube.com](http://www.solatube.com) | T: 888.SOLATUBE

# Suspension Wire Kit for Suspended Ceiling

## Installation Instructions Appendix

Installation

Parts List	Quantity
1 16 Gauge Galvanized Wire 50 ft (15.25 m)	(1)
2 Expanding Bolt (M6)	(4)

Additional Materials and Tools	Quantity
1 Concrete Drill Bit 7/16 in (11 mm)	(1)
2 Concrete Hammer Drill	(1)

**1** Fasten Suspension Wire to Concrete Roof and Ceiling (Concrete Roof System Shown).

Concrete Roof

Concrete Roof

Suspension Wire

Suspended ceiling

Attach and twist wire end a minimum of 3 times.

a

b

c

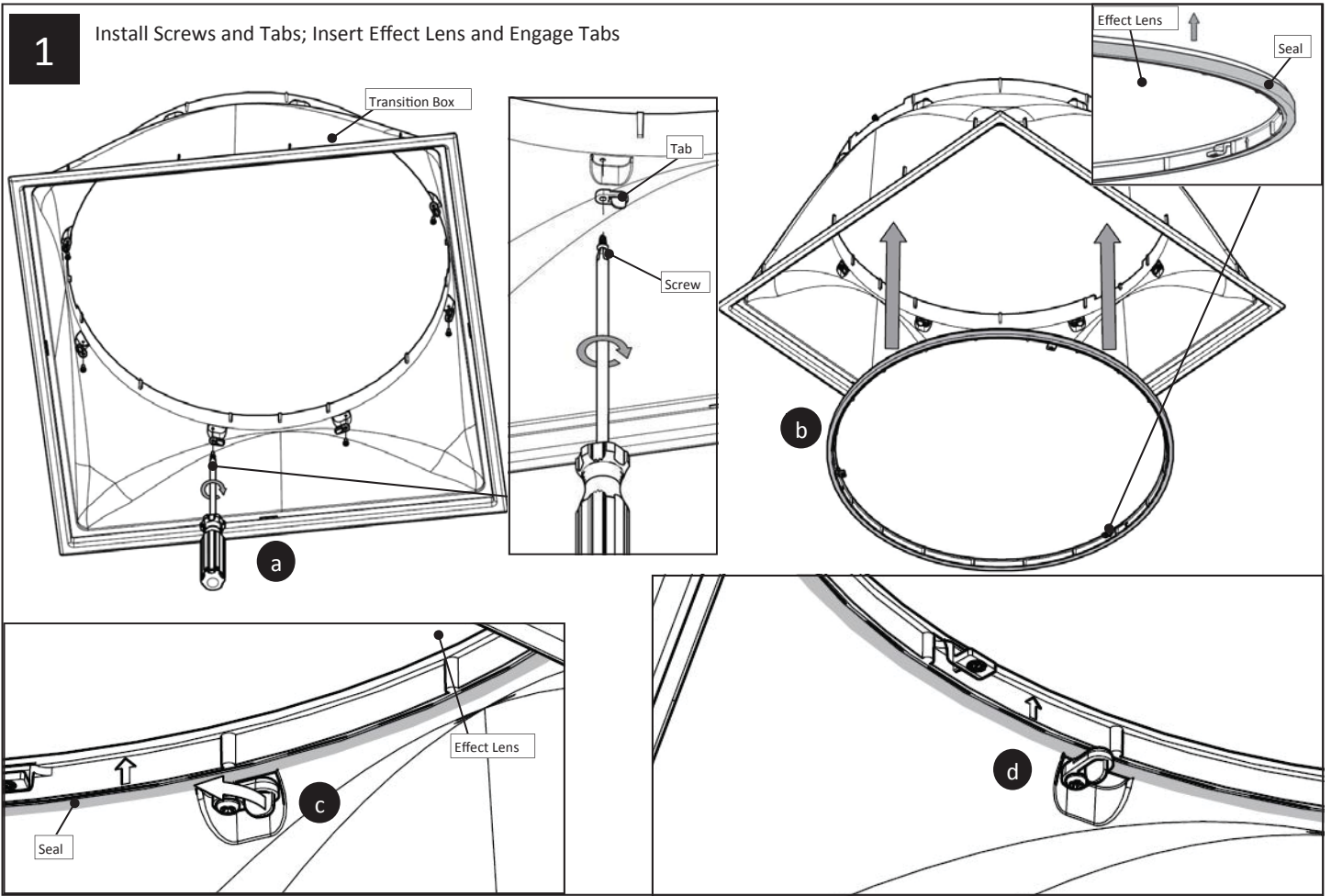
d

e

# Natural Effect Lens Installation Instructions Appendix

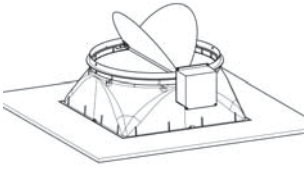
Parts List *	Quantity
1 330 DS/750 DS Natural Effect Lens	(1)
2 Screw #6 X 3/8 in (10 mm)	(8)
3 Natural Effect Lens Tab	(8)

Additional Materials and Tools	Quantity
1 None	



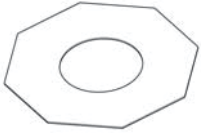
## Solatube Solamaster® Series Accessories

Add more function by upgrading your Solatube Daylighting System with any of these great accessories.



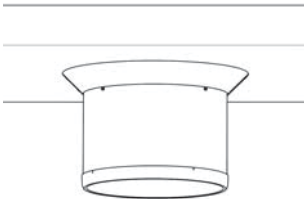
### Daylight Dimmer

Because you don't need 100% of the light 100% of the time, the innovative Solatube Daylight Dimmer easily controls the amount of daylight entering a room with the convenience of a switch. Our patented variable butterfly baffle controls the light output.



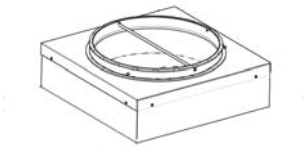
### Flashing Insulator

This insulating material helps to reduce condensation in cold climates when the flashing is exposed to a humid interior space. The insulator is affixed to the flashing base and the top tube slips through the opening, which provides a seal between the interior and metal flashing.



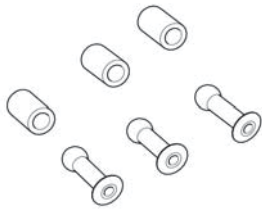
### Open Ceiling Trim Ring

For use with the Solatube 330 DS and 750 DS Open Ceiling Configurations. The trim ring provides a finished appearance to the installation.



### Security Bar

This stainless steel bar insets into the flashing turret across the diameter of the opening. The bar is fastened using rivets and inhibits entry through the dome.



### Dome Security Kit

This kit consists of three rivets with nylon spacers, which replace dome screws. The dome security kit reduces the possibility of the dome being removed.

# Notes



Solatube International, Inc.,  
2210 Oak Ridge Way, Vista CA 92081-8341      Phone  
(800) 966-7652 • Fax (760) 599-5181  
[www.solatube.com](http://www.solatube.com)      Part No. 951780      v2.0